



60
Hz

TMH-LINE CONDENSING UNITS

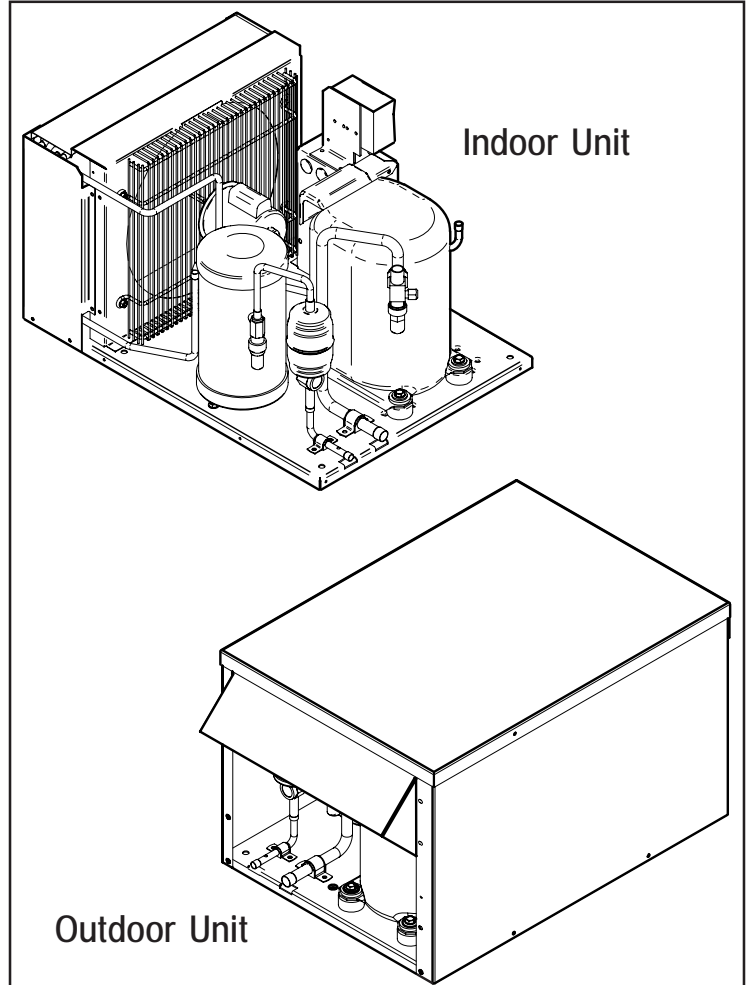
PRODUCT DATA & SPECIFICATIONS

**INDOOR /OUTDOOR COMPACT
AIR COOLED HERMETIC
CONDENSING UNITS**

**1/2 TO 5 HP
HIGH, MEDIUM AND LOW
TEMPERATURE REFRIGERATION**

Bulletin T40-TMH-PDS-60

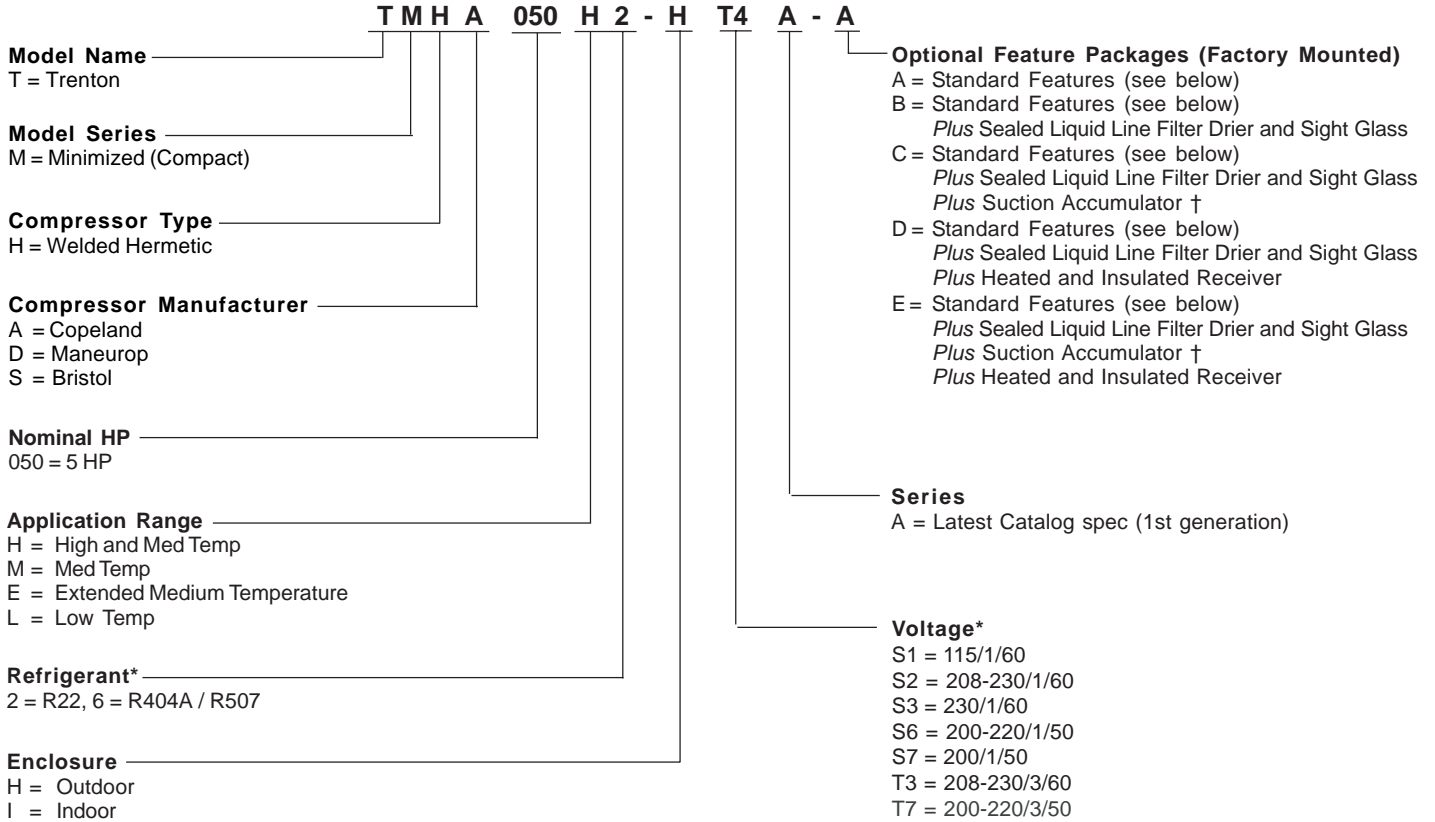
1079231



CONTENTS

	Page
Nomenclature.....	2
Features.....	3
Capacity Data (Imperial and <i>Metric</i>).....	4-14
Electrical Data.....	15-17
Dimensional Data.....	18, 19
Specifications.....	20
Wiring Diagrams.....	21-23

NOMENCLATURE



* Subject to compressor availability

† Suction Accumulator Option Available ONLY with 2HP and larger TMHA and TMHS

STANDARD FEATURES

- Space saving, compact design
- Copeland (H/E/L), Bristol R22 (H) or Maneurop R404A/R507 (M/L) hermetic compressor
- High efficiency PSC fan motors
- Enhanced tube condenser coil
- Copper tubing secured with cushion clamps
- Outdoor weather resistant housing with removable hood (standard on outdoor models)
- Adjustable low (1 HP and below) or high/low pressure control (above 1 HP)
- Fan guard
- Receiver outlet valve
- Flooded Head Pressure Control (standard on outdoor models)
- Crankcase Heater (standard on outdoor models)

OPTIONAL FEATURE (Field Mounted)

- Knockdown outdoor cabinet

CONDENSING UNIT MODEL	SATURATED SUCTION TEMPERATURE		AMBIENT TEMPERATURE °F (°C)															
			°F	°C	80	(26.6)	85	(29.4)	90	(32.2)	95	(35)	100	(37.8)	105	(40.6)	110	(43.3)
	TMHA005H2 Compressor Model ARE59C3	45	(7.2)	7190	(2107)	6950	(2037)	6720	(1970)	6490	(1902)	6270	(1838)	6060	(1776)	5870	(1720)	
40		(4.4)	6610	(1937)	6390	(1873)	6160	(1805)	5940	(1741)	5740	(1682)	5530	(1621)	5350	(1568)		
35		(1.7)	6050	(1773)	5840	(1712)	5620	(1647)	5420	(1589)	5220	(1530)	5030	(1474)	4840	(1419)		
30		(-1.1)	5510	(1615)	5310	(1556)	5120	(1501)	4920	(1442)	4730	(1386)	4540	(1331)	4370	(1281)		
25		(-3.9)	5000	(1465)	4810	(1410)	4620	(1354)	4440	(1301)	4260	(1249)	4090	(1199)	3920	(1149)		
20		(-6.7)	4500	(1319)	4340	(1272)	4160	(1219)	4000	(1172)	3820	(1120)	3660	(1073)	3500	(1026)		
15		(-9.4)	4040	(1184)	3880	(1137)	3730	(1093)	3570	(1046)	3420	(1002)	3250	(953)	3110	(911)		
10		(-12.2)	3590†	(1052)†	3460†	(1014)†	3330†	(976)†	3180†	(932)†	3040†	(891)†	2890†	(847)†	2750†	(806)†		
5		(-15.0)	3190†	(935)†	3080†	(903)†	2960†	(868)†	2820†	(826)†	2690†	(788)†	2550†	(747)†	---	---		
0	(-17.8)	2810†	(824)†	2720†	(797)†	2620†	(768)†	2490†	(730)†	---	---	---	---	---	---			
TMHA008H2 Compressor Model RS47C2	45	(7.2)	10000	(2931)	9610	(2817)	9210	(2699)	8820	(2585)	8430	(2471)	8020	(2351)	7630	(2236)		
	40	(4.4)	9150	(2682)	8780	(2573)	8400	(2462)	8030	(2353)	7670	(2248)	7300	(2140)	6930	(2031)		
	35	(1.7)	8320	(2438)	7980	(2339)	7630	(2236)	7290	(2137)	6950	(2037)	6610	(1937)	6270	(1838)		
	30	(-1.1)	7540	(2210)	7220	(2116)	6900	(2022)	6590	(1931)	6270	(1838)	5950	(1744)	5630	(1650)		
	25	(-3.9)	6790	(1990)	6500	(1905)	6210	(1820)	5910	(1732)	5620	(1647)	5330	(1562)	5030	(1474)		
	20	(-6.7)	6080	(1782)	5810	(1703)	5540	(1624)	5260	(1542)	5000	(1465)	4730	(1386)	4450	(1304)		
	15	(-9.4)	5400	(1583)	5150	(1509)	4900	(1436)	4650	(1363)	4400	(1290)	4140	(1213)	3880	(1137)		
	10	(-12.2)	4750	(1392)	4520	(1325)	4280	(1254)	4060	(1190)	3820	(1120)	3580	(1049)	3350	(982)		
	5	(-15.0)	4120†	(1208)†	3910†	(1146)†	3700†	(1084)†	3480†	(1020)†	3270†	(958)†	---	---	---	---		
0	(-17.8)	3520†	(1032)†	3330†	(976)†	3120†	(914)†	2930†	(859)†	---	---	---	---	---	---			
TMHA011H2 Compressor Model RS70C1	45	(7.2)	14600	(4279)	14000	(4103)	13400	(3927)	12800	(3751)	12300	(3605)	11800	(3458)	---	---		
	40	(4.4)	13400	(3927)	12800	(3751)	12200	(3576)	11700	(3429)	11200	(3283)	10700	(3136)	10280	(3013)		
	35	(1.7)	12200	(3576)	11600	(3400)	11100	(3253)	10600	(3107)	10100	(2960)	9620	(2819)	9210	(2699)		
	30	(-1.1)	11000	(3224)	10500	(3077)	10000	(2931)	9510	(2787)	9030	(2647)	8590	(2518)	8200	(2403)		
	25	(-3.9)	9940	(2913)	9460	(2773)	8970	(2629)	8500	(2491)	8040	(2356)	7610	(2230)	7220	(2116)		
	20	(-6.7)	8900	(2608)	8450	(2477)	7980	(2339)	7530	(2207)	7090	(2078)	6670	(1955)	6290	(1843)		
	15	(-9.4)	7900	(2315)	7480	(2192)	7030	(2060)	6600	(1934)	6180	(1811)	5780	(1694)	5410	(1586)		
	10	(-12.2)	6950†	(2037)†	6550†	(1920)†	6130†	(1797)†	5720†	(1676)†	5310†	(1556)†	4920†	(1442)†	4550†	(1334)†		
	5	(-15.0)	6040†	(1770)†	5650†	(1656)†	5260†	(1542)†	4870†	(1427)†	4480†	(1313)†	4100†	(1202)†	---	---		
0	(-17.8)	5160†	(1512)†	4810†	(1410)†	4440†	(1301)†	4060†	(1190)†	---	---	---	---	---	---			
TMHA015H2 Compressor Model CR18KQ	45	(7.2)	20700	(6067)	19800	(5803)	18900	(5539)	18000	(5275)	17100	(5012)	16200	(4748)	---	---		
	40	(4.4)	18800	(5510)	18000	(5275)	17100	(5012)	16300	(4777)	15500	(4543)	14600	(4279)	13800	(4045)		
	35	(1.7)	17000	(4982)	16200	(4748)	15400	(4513)	14700	(4308)	13900	(4074)	13100	(3839)	12300	(3605)		
	30	(-1.1)	15300	(4484)	14500	(4250)	13800	(4045)	13100	(3839)	12300	(3605)	11600	(3400)	10800	(3165)		
	25	(-3.9)	13600	(3986)	12900	(3781)	12200	(3576)	11500	(3370)	10800	(3165)	10100	(2960)	9420	(2761)		
	20	(-6.7)	12000	(3517)	11400	(3341)	10700	(3136)	10100	(2960)	9410	(2758)	8760	(2567)	8100	(2374)		
	15	(-9.4)	10500	(3077)	9930	(2910)	9310	(2729)	8700	(2550)	8090	(2371)	7470	(2189)	6850	(2008)		
	10	(-12.2)	9150†	(2682)†	8580†	(2515)†	8000†	(2345)†	7430†	(2178)†	6850†	(2008)†	6260†	(1835)†	5690†	(1668)†		
	5	(-15.0)	7870†	(2307)†	7330†	(2148)†	6800†	(1993)†	6250†	(1832)†	5720†	(1676)†	5170†	(1515)†	---	---		
0	(-17.8)	6710†	(1967)†	6210†	(1820)†	5720†	(1676)†	5200†	(1524)†	---	---	---	---	---	---			
TMHA020H2 Compressor Model CR24KQ	45	(7.2)	27300	(8001)	26200	(7679)	25200	(7386)	24100	(7063)	23000	(6741)	21900	(6419)	20700	(6067)		
	40	(4.4)	24900	(7298)	23900	(7005)	22900	(6712)	21900	(6419)	20800	(6096)	19800	(5803)	18700	(5481)		
	35	(1.7)	22600	(6624)	21700	(6360)	20700	(6067)	19800	(5803)	18800	(5510)	17800	(5217)	16800	(4924)		
	30	(-1.1)	20400	(5979)	19500	(5715)	18600	(5451)	17700	(5188)	16900	(4953)	15900	(4660)	15000	(4396)		
	25	(-3.9)	18300	(5363)	17500	(5129)	16700	(4894)	15800	(4631)	15000	(4396)	14200	(4162)	13300	(3898)		
	20	(-6.7)	16300	(4777)	15600	(4572)	14800	(4338)	14000	(4103)	13300	(3898)	12500	(3664)	11700	(3429)		
	15	(-9.4)	14400	(4220)	13700	(4015)	13100	(3839)	12400	(3634)	11600	(3400)	10900	(3195)	10200	(2989)		
	10	(-12.2)	12700	(3722)	12100	(3546)	11400	(3341)	10800	(3165)	10100	(2960)	9490	(2781)	8800	(2579)		
	5	(-15.0)	11100	(3253)	10500	(3077)	9940	(2913)	9360	(2743)	8780	(2573)	8170	(2394)	7540	(2210)		
0	(-17.8)	9580	(2808)	9080	(2661)	8580	(2515)	8060	(2362)	7540	(2210)	---	---	---	---			

--- Outside Operating Range † Max 40°F RGT

CONDENSING UNIT MODEL	SATURATED SUCTION TEMPERATURE		AMBIENT TEMPERATURE ° F (° C)														
			80 (26.6)		85 (29.4)		90 (32.2)		95 (35)		100 (37.8)		105 (40.6)		110 (43.3)		
	° F	° C															
TMHA025H2 Compressor Model CR32KQ	45 (7.2)		35400 (10375)	34100 (9994)	32800 (9613)	31500 (9232)	30300 (8880)	29000 (8499)	27700 (8118)								
	40 (4.4)		32400 (9496)	31200 (9144)	30000 (8792)	28800 (8441)	27600 (8089)	26400 (7737)	25200 (7386)								
	35 (1.7)		29500 (8646)	28400 (8324)	27300 (8001)	26200 (7679)	25100 (7356)	24000 (7034)	22900 (6712)								
	30 (-1.1)		26800 (7855)	25800 (7562)	24800 (7268)	23800 (6975)	22700 (6653)	21700 (6360)	20700 (6067)								
	25 (-3.9)		24200 (7093)	23300 (6829)	22300 (6536)	21400 (6272)	20400 (5979)	19500 (5715)	18600 (5451)								
	20 (-6.7)		21800 (6389)	20900 (6125)	20000 (5862)	19100 (5598)	18300 (5363)	17400 (5100)	16600 (4865)								
	15 (-9.4)		19400 (5686)	18600 (5451)	17800 (5217)	17000 (4982)	16200 (4748)	15400 (4513)	14600 (4279)								
	10 (-12.2)		17200 (5041)	16400 (4807)	15600 (4572)	14900 (4367)	14100 (4132)	13400 (3927)	12700 (3722)								
	5 (-15.0)		15000 (4396)	14200 (4162)	13500 (3957)	12800 (3751)	12100 (3546)	11500 (3370)	---	---							
0 (-17.8)		12800 (3751)	12100 (3546)	11400 (3341)	10800 (3165)	10100 (2960)	9520 (2790)	---	---								
TMHA031H2 Compressor Model CR37KQ	45 (7.2)		39600 (11606)	38100 (11166)	36600 (10727)	35200 (10317)	33700 (9877)	32300 (9467)	---	---							
	40 (4.4)		36400 (10668)	35000 (10258)	33600 (9848)	32200 (9437)	30800 (9027)	29500 (8646)	28200 (8265)								
	35 (1.7)		33300 (9760)	32000 (9379)	30700 (8998)	29400 (8617)	28100 (8236)	26800 (7855)	25600 (7503)								
	30 (-1.1)		30300 (8880)	29100 (8529)	27800 (8148)	26600 (7796)	25400 (7444)	24200 (7093)	23000 (6741)								
	25 (-3.9)		27400 (8030)	26200 (7679)	25100 (7356)	23900 (7005)	22700 (6653)	21600 (6331)	20500 (6008)								
	20 (-6.7)		24600 (7210)	23500 (6887)	22400 (6565)	21300 (6243)	20200 (5920)	19100 (5598)	18100 (5305)								
	15 (-9.4)		21900 (6419)	20900 (6125)	19800 (5803)	18800 (5510)	17800 (5217)	16800 (4924)	15800 (4631)								
	10 (-12.2)		19300 (5657)	18400 (5393)	17400 (5100)	16400 (4807)	15500 (4543)	14500 (4250)	13600 (3986)								
	5 (-15.0)		16900 (4953)	16000 (4689)	15100 (4426)	14100 (4132)	13200 (3869)	12300 (3605)	---	---							
0 (-17.8)		14600 (4279)	13700 (4015)	12900 (3781)	12000 (3517)	---	---	---	---								
TMHA035H2 Compressor Model CR41KQ	45 (7.2)		43100 (12632)	41500 (12163)	39800 (11665)	38200 (11196)	36500 (10698)	34800 (10199)	---	---							
	40 (4.4)		39700 (11635)	38200 (11196)	36600 (10727)	35100 (10287)	33600 (9848)	32000 (9379)	---	---							
	35 (1.7)		36300 (10639)	34900 (10229)	33500 (9818)	32100 (9408)	30700 (8998)	29300 (8587)	27800 (8148)								
	30 (-1.1)		33000 (9672)	31700 (9291)	30400 (8910)	29100 (8529)	27900 (8177)	26500 (7767)	25200 (7386)								
	25 (-3.9)		29800 (8734)	28600 (8382)	27500 (8060)	26300 (7708)	25100 (7356)	23900 (7005)	22700 (6653)								
	20 (-6.7)		26800 (7855)	25700 (7532)	24600 (7210)	23500 (6887)	22400 (6565)	21300 (6243)	20300 (5950)								
	15 (-9.4)		23800 (6975)	22800 (6682)	21800 (6389)	20900 (6125)	19900 (5832)	18900 (5539)	17900 (5246)								
	10 (-12.2)		21100† (6184)†	20200† (5920)†	19200† (5627)†	18300† (5363)†	17400† (5100)†	16500† (4836)†	15600† (4572)†								
	5 (-15.0)		18500† (5422)†	17600† (5158)†	16800† (4924)†	15900† (4660)†	15100† (4426)†	---	---	---							
0 (-17.8)		16100† (4719)†	15300† (4484)†	14500† (4250)†	13700† (4015)†	---	---	---	---								
TMHA040H2 Compressor Model CR53KQ	45 (7.2)		59100 (17321)	56900 (16676)	54700 (16032)	52500 (15387)	50200 (14713)	48000 (14068)	45800 (13423)								
	40 (4.4)		54100 (15856)	52100 (15270)	50100 (14683)	48000 (14068)	46000 (13482)	43900 (12866)	41900 (12280)								
	35 (1.7)		49300 (14449)	47500 (13921)	45600 (13365)	43700 (12808)	41900 (12280)	40000 (11723)	38100 (11166)								
	30 (-1.1)		44700 (13101)	43000 (12603)	41300 (12104)	39600 (11606)	37800 (11079)	36100 (10580)	34400 (10082)								
	25 (-3.9)		40200 (11782)	38700 (11342)	37100 (10873)	35500 (10404)	34000 (9965)	32400 (9496)	30800 (9027)								
	20 (-6.7)		36000 (10551)	34600 (10141)	33100 (9701)	31700 (9291)	30300 (8880)	28800 (8441)	27400 (8030)								
	15 (-9.4)		32000 (9379)	30700 (8998)	29300 (8587)	28000 (8206)	26700 (7825)	25400 (7444)	24100 (7063)								
	10 (-12.2)		28200† (8265)†	27000† (7913)†	25800† (7562)†	24500† (7181)†	23300† (6829)†	22100† (6477)†	20900† (6125)†								
	5 (-15.0)		24700† (7239)†	23600† (6917)†	22400† (6565)†	21300† (6243)†	20200† (5920)†	19000† (5569)†	---	---							
0 (-17.8)		21500† (6301)†	20400† (5979)†	19300† (5657)†	18200† (5334)†	---	---	---	---								
TMHA050H2 Compressor Model CRN5-0500	45 (7.2)		66700 (19549)	64400 (18875)	62000 (18171)	59800 (17526)	57500 (16852)	55200 (16178)	---	---							
	40 (4.4)		61200 (17937)	59100 (17321)	57000 (16706)	54800 (16061)	52700 (15445)	50600 (14830)	---	---							
	35 (1.7)		56000 (16413)	54000 (15826)	52100 (15270)	50100 (14683)	48100 (14097)	46200 (13540)	44200 (12954)								
	30 (-1.1)		51000 (14947)	49200 (14420)	47400 (13892)	45600 (13365)	43700 (12808)	41900 (12280)	40000 (11723)								
	25 (-3.9)		46200 (13540)	44600 (13072)	42900 (12573)	41200 (12075)	39400 (11547)	37700 (11049)	35900 (10522)								
	20 (-6.7)		41700 (12222)	40100 (11753)	38500 (11284)	36900 (10815)	35300 (10346)	33600 (9848)	31900 (9349)								
	15 (-9.4)		37300 (10932)	35800 (10492)	34300 (10053)	32800 (9613)	31200 (9144)	29600 (8675)	28000 (8206)								
	10 (-12.2)		33000† (9672)†	31600† (9261)†	30200† (8851)†	28700† (8411)†	27300† (8001)†	25700† (7532)†	24100† (7063)†								
	5 (-15.0)		28900† (8470)†	27600† (8089)†	26200† (7679)†	24800† (7268)†	23300† (6829)†	---	---	---							
0 (-17.8)		24900† (7298)†	23600† (6917)†	22300† (6536)†	20900† (6125)†	---	---	---	---								

--- Outside Operating Range † Max 40°F RGT

**R404A - EXTENDED MEDIUM
TEMPERATURE
CAPACITY BTU/H (WATTS)**

CONDENSING UNIT MODEL	SATURATED SUCTION TEMPERATURE		AMBIENT TEMPERATURE ° F (° C)							
	° F	° C	80 (26.6)	85 (29.4)	90 (32.2)	95 (35.0)	100 (37.8)	105 (40.6)	110 (43.3)	
TMHA006E6 Compressor Model RS43C2E *	30	(-1.1)	7520 (2204)	7090 (2078)	6640 (1946)	6220 (1823)	5800 (1700)	5380 (1577)	4970 (1457)	
	25	(-3.9)	6920 (2028)	6510 (1908)	6120 (1794)	5730 (1679)	5340 (1565)	4950 (1451)	4580 (1342)	
	20	(-6.7)	6320 (1852)	5950 (1744)	5590 (1638)	5230 (1533)	4880 (1430)	4530 (1328)	4190 (1228)	
	15	(-9.4)	5740 (1682)	5400 (1583)	5070 (1486)	4750 (1392)	4430 (1298)	4110 (1205)	3790 (1111)	
	10	(-12.2)	5170 (1515)	4860 (1424)	4560 (1336)	4270 (1251)	3980 (1166)	3690 (1081)	3410 (999)	
	5	(-15.0)	4620 (1354)	4350 (1275)	4080 (1196)	3810 (1117)	3540 (1038)	3280 (961)	3020 (885)	
	0	(-17.8)	4100 (1202)	3850 (1128)	3610 (1058)	3370 (988)	3120 (914)	2880 (844)	2650 (777)	
	-5	(-20.6)	3511 (1029)	3288 (964)	3065 (898)	2862 (839)	2638 (773)	2425 (711)	2212 (648)	
	-10	(-23.3)	3056 (895)	2871 (842)	2668 (782)	2464 (722)	2270 (665)	2066 (605)	1872 (549)	
	-15	(-26.1)	2658 (779)	2474 (725)	2299 (674)	2105 (617)	1930 (566)	1736 (509)	1552 (455)	
-20	(-28.9)	2289 (671)	2124 (623)	1959 (574)	1775 (520)	1610 (472)	1426 (418)	1251 (367)		
-25	(-31.7)	1969 (577)	1804 (529)	1649 (483)	1484 (435)	1319 (387)	1135 (333)	970 (284)		
TMHA008E6 Compressor Model RS55C2E *	30	(-1.1)	9140 (2679)	8620 (2526)	8100 (2374)	7580 (2222)	7080 (2075)	6570 (1926)	6080 (1782)	
	25	(-3.9)	8390 (2459)	7920 (2321)	7440 (2181)	6960 (2040)	6500 (1905)	6040 (1770)	5580 (1635)	
	20	(-6.7)	7670 (2248)	7230 (2119)	6800 (1993)	6360 (1864)	5930 (1738)	5500 (1612)	5090 (1492)	
	15	(-9.4)	6970 (2043)	6560 (1923)	6160 (1805)	5770 (1691)	5370 (1574)	4990 (1462)	4590 (1345)	
	10	(-12.2)	6290 (1843)	5920 (1735)	5550 (1627)	5190 (1521)	4830 (1416)	4470 (1310)	4120 (1208)	
	5	(-15.0)	5630 (1650)	5290 (1550)	4960 (1454)	4620 (1354)	4300 (1260)	3980 (1166)	3660 (1073)	
	0	(-17.8)	5020 (1471)	4710 (1380)	4400 (1290)	4090 (1199)	3790 (1111)	3490 (1023)	3200 (938)	
	-5	(-20.6)	4297 (1259)	4016 (1177)	3744 (1097)	3473 (1018)	3211 (941)	2939 (861)	2677 (785)	
	-10	(-23.3)	3754 (1100)	3511 (1029)	3259 (955)	3007 (882)	2755 (807)	2522 (739)	2280 (668)	
	-15	(-26.1)	3269 (958)	3036 (889)	2803 (822)	2580 (757)	2347 (688)	2115 (620)	1901 (557)	
-20	(-28.9)	2813 (825)	2609 (764)	2386 (699)	2173 (637)	1959 (574)	1736 (509)	1533 (449)		
-25	(-31.7)	2415 (708)	2221 (651)	2008 (589)	1795 (526)	1601 (469)	1397 (409)	1203 (352)		
TMHA009E6 Compressor Model RS64C2E *	30	(-1.1)	10640 (3118)	10090 (2957)	9550 (2799)	8990 (2635)	8440 (2474)	7880 (2309)	7310 (2142)	
	25	(-3.9)	9800 (2872)	9300 (2726)	8790 (2576)	8280 (2427)	7770 (2277)	7250 (2125)	6740 (1975)	
	20	(-6.7)	8980 (2632)	8520 (2497)	8050 (2359)	7590 (2225)	7120 (2087)	6650 (1949)	6180 (1811)	
	15	(-9.4)	8190 (2400)	7770 (2277)	7340 (2151)	6920 (2028)	6490 (1902)	6060 (1776)	5620 (1647)	
	10	(-12.2)	7440 (2181)	7050 (2066)	6650 (1949)	6270 (1838)	5880 (1723)	5490 (1609)	5100 (1495)	
	5	(-15.0)	6710 (1967)	6360 (1864)	5990 (1756)	5640 (1653)	5280 (1547)	4930 (1445)	4570 (1339)	
	0	(-17.8)	6000 (1758)	5690 (1668)	5360 (1571)	5040 (1477)	4720 (1383)	4400 (1290)	4070 (1193)	
	-5	(-20.6)	5180 (1518)	4889 (1433)	4608 (1350)	4317 (1265)	4035 (1182)	3754 (1100)	3473 (1018)	
	-10	(-23.3)	4559 (1336)	4297 (1259)	4026 (1180)	3773 (1106)	3521 (1032)	3259 (955)	3007 (882)	
	-15	(-26.1)	3967 (1163)	3715 (1089)	3473 (1018)	3250 (953)	3007 (882)	2774 (813)	2561 (751)	
-20	(-28.9)	3395 (995)	3172 (929)	2949 (864)	2735 (801)	2522 (739)	2309 (677)	2105 (617)		
-25	(-31.7)	2862 (839)	2648 (776)	2435 (714)	2241 (657)	2047 (599)	1853 (543)	1668 (489)		
TMHA010E6 Compressor Model RS70C1E *	30	(-1.1)	11900 (3488)	11200 (3283)	10600 (3107)	9900 (2902)	9230 (2705)	8550 (2506)	7880 (2309)	
	25	(-3.9)	10900 (3195)	10300 (3019)	9650 (2828)	9050 (2652)	8450 (2477)	7840 (2298)	7220 (2116)	
	20	(-6.7)	9870 (2893)	9330 (2734)	8800 (2579)	8250 (2418)	7700 (2257)	7160 (2098)	6590 (1931)	
	15	(-9.4)	8930 (2617)	8460 (2479)	7970 (2336)	7500 (2198)	7000 (2052)	6510 (1908)	6000 (1758)	
	10	(-12.2)	8040 (2356)	7620 (2233)	7200 (2110)	6780 (1987)	6330 (1855)	5890 (1726)	5430 (1591)	
	5	(-15.0)	7210 (2113)	6840 (2005)	6460 (1893)	6080 (1782)	5690 (1668)	5280 (1547)	4860 (1424)	
	0	(-17.8)	6410 (1879)	6090 (1785)	5750 (1685)	5410 (1586)	5060 (1483)	4690 (1375)	4300 (1260)	
	-5	(-20.6)	5471 (1603)	5199 (1524)	4908 (1439)	4608 (1350)	4287 (1256)	3958 (1160)	3608 (1057)	
	-10	(-23.3)	4743 (1390)	4501 (1319)	4239 (1243)	3958 (1160)	3667 (1075)	3356 (984)	3017 (884)	
	-15	(-26.1)	4035 (1182)	3802 (1115)	3570 (1047)	3308 (969)	3026 (887)	2726 (799)	2406 (705)	
-20	(-28.9)	3327 (975)	3104 (910)	2881 (844)	2629 (770)	2357 (691)	2056 (602)	1736 (509)		
-25	(-31.7)	2619 (767)	2396 (702)	2173 (637)	1921 (563)	1639 (480)	1348 (395)	1019 (299)		

--- Outside Operating Range † Max 40°F RGT * Not suitable for use with R-507

**R404A - EXTENDED MEDIUM
TEMPERATURE
CAPACITY BTU/H (WATTS)**

CONDENSING UNIT MODEL	SATURATED SUCTION TEMPERATURE		AMBIENT TEMPERATURE ° F (° C)									
	° F	° C	80 (26.6)	85 (29.4)	90 (32.2)	95 (35.0)	100 (37.8)	105 (40.6)	110 (43.3)			
TMHA016E6 Compressor Model CS10K6E	30 (-1.1)	17500 (5129)	16400 (4807)	15400 (4513)	14400 (4220)	13400 (3927)	12400 (3634)	11400 (3341)	10400 (3048)	9390 (2752)	8380 (2456)	7370 (2160)
	25 (-3.9)	16000 (4689)	15100 (4426)	14100 (4132)	13200 (3869)	12200 (3576)	11300 (3312)	10400 (3048)	9390 (2752)	8380 (2456)	7370 (2160)	6360 (1864)
	20 (-6.7)	14600 (4279)	13700 (4015)	12900 (3781)	12000 (3517)	11100 (3253)	10200 (2989)	9390 (2752)	8380 (2456)	7370 (2160)	6360 (1864)	5350 (1569)
	15 (-9.4)	13200 (3869)	12400 (3634)	11600 (3400)	10800 (3165)	9970 (2922)	9180 (2691)	8380 (2456)	7370 (2160)	6360 (1864)	5350 (1569)	4340 (1271)
	10 (-12.2)	11800 (3458)	11100 (3253)	10300 (3019)	9570 (2805)	8840 (2591)	8110 (2377)	7370 (2160)	6360 (1864)	5350 (1569)	4340 (1271)	3330 (978)
	5 (-15.0)	10400 (3048)	9750 (2858)	9060 (2655)	8390 (2459)	7710 (2260)	7050 (2066)	6380 (1870)	5410 (1586)	4336 (1271)	3322 (972)	2310 (646)
	0 (-17.8)	9110 (2670)	8480 (2485)	7860 (2304)	7240 (2122)	6630 (1943)	6020 (1764)	5410 (1586)	4336 (1271)	3322 (972)	2310 (646)	1300 (366)
	-5 (-20.6)	7595 (2226)	7052 (2067)	6509 (1908)	5966 (1748)	5422 (1589)	4879 (1430)	4336 (1271)	3322 (972)	2310 (646)	1300 (366)	300 (83)
	-10 (-23.3)	6431 (1885)	5946 (1743)	5451 (1598)	4957 (1453)	4462 (1308)	3977 (1166)	3482 (1020)	2310 (646)	1300 (366)	300 (83)	0 (0)
	-15 (-26.1)	5354 (1569)	4918 (1441)	4472 (1310)	4035 (1182)	3589 (1051)	3133 (919)	2687 (788)	1300 (366)	300 (83)	0 (0)	0 (0)
	-20 (-28.9)	4384 (1285)	3996 (1172)	3599 (1054)	3201 (938)	2794 (819)	2386 (699)	1979 (580)	300 (83)	0 (0)	0 (0)	0 (0)
-25 (-31.7)	3550 (1041)	3201 (938)	2842 (833)	2474 (725)	2105 (617)	1736 (509)	1358 (398)	0 (0)	0 (0)	0 (0)	0 (0)	
TMHA021E6 Compressor Model CS12K6E	30 (-1.1)	22600 (6624)	21400 (6272)	20100 (5891)	18900 (5539)	17700 (5188)	16500 (4836)	15300 (4484)	14100 (4132)	12900 (3781)	11700 (3429)	10500 (3077)
	25 (-3.9)	20400 (5979)	19300 (5657)	18200 (5334)	17100 (5012)	15900 (4660)	14800 (4338)	13700 (4015)	12600 (3693)	11500 (3370)	10400 (3048)	9300 (2725)
	20 (-6.7)	18400 (5393)	17400 (5100)	16300 (4777)	15300 (4484)	14200 (4162)	13200 (3869)	12200 (3576)	11200 (3283)	10200 (2989)	9200 (2696)	8200 (2403)
	15 (-9.4)	16500 (4836)	15500 (4543)	14600 (4279)	13600 (3986)	12700 (3722)	11700 (3429)	10800 (3165)	9900 (2902)	9000 (2639)	8100 (2376)	7200 (2113)
	10 (-12.2)	14700 (4308)	13800 (4045)	12900 (3781)	12000 (3517)	11200 (3283)	10300 (3019)	9420 (2761)	8540 (2503)	7660 (2245)	6780 (1987)	5900 (1730)
	5 (-15.0)	13000 (3810)	12200 (3576)	11400 (3341)	10500 (3077)	9730 (2852)	8950 (2623)	8160 (2392)	7370 (2160)	6580 (1932)	5790 (1701)	5000 (1444)
	0 (-17.8)	11400 (3341)	10600 (3107)	9870 (2893)	9130 (2676)	8390 (2459)	7680 (2251)	6970 (2043)	6260 (1835)	5550 (1627)	4840 (1419)	4130 (1162)
	-5 (-20.6)	9584 (2809)	8885 (2604)	8216 (2408)	7556 (2215)	6916 (2027)	6286 (1842)	5665 (1661)	5045 (1476)	4425 (1291)	3805 (1106)	3185 (921)
	-10 (-23.3)	8187 (2400)	7537 (2209)	6916 (2027)	6315 (1851)	5733 (1680)	5170 (1515)	4617 (1353)	4065 (1188)	3505 (1023)	2945 (858)	2385 (693)
	-15 (-26.1)	6858 (2010)	6257 (1833)	5684 (1665)	5122 (1501)	4608 (1350)	4093 (1200)	3608 (1057)	3116 (905)	2624 (752)	2130 (606)	1636 (459)
	-20 (-28.9)	5578 (1634)	5025 (1472)	4481 (1313)	3987 (1169)	3511 (1029)	3046 (892)	2619 (767)	2196 (637)	1752 (500)	1308 (369)	864 (240)
-25 (-31.7)	4355 (1277)	3822 (1120)	3337 (978)	2881 (844)	2435 (714)	2027 (595)	1649 (483)	1272 (356)	884 (248)	489 (136)	84 (23)	
TMHA025E6 Compressor Model CS14K6E	30 (-1.1)	25900 (7591)	24500 (7181)	23100 (6770)	21700 (6360)	20300 (5950)	18900 (5539)	17400 (5130)	16000 (4720)	14600 (4310)	13200 (3900)	11800 (3490)
	25 (-3.9)	23800 (6975)	22500 (6594)	21200 (6213)	19900 (5832)	18600 (5451)	17300 (5070)	16000 (4689)	14700 (4299)	13400 (3918)	12100 (3537)	10800 (3156)
	20 (-6.7)	21700 (6360)	20500 (6008)	19300 (5657)	18100 (5305)	17000 (4982)	15800 (4631)	14600 (4279)	13400 (3918)	12200 (3557)	11000 (3206)	9800 (2855)
	15 (-9.4)	19600 (5744)	18500 (5422)	17400 (5100)	16400 (4807)	15300 (4484)	14200 (4162)	13200 (3869)	12200 (3576)	11200 (3283)	10200 (2989)	9200 (2696)
	10 (-12.2)	17600 (5158)	16600 (4865)	15600 (4572)	14600 (4279)	13700 (4015)	12700 (3722)	11700 (3429)	10700 (3136)	9700 (2843)	8700 (2550)	7700 (2257)
	5 (-15.0)	15600 (4572)	14700 (4308)	13800 (4045)	13000 (3810)	12100 (3546)	11200 (3283)	10300 (3019)	9400 (2756)	8500 (2493)	7600 (2230)	6700 (1967)
	0 (-17.8)	13700 (4015)	12900 (3781)	12100 (3546)	11300 (3312)	10600 (3107)	9760 (2860)	8980 (2632)	8200 (2404)	7420 (2176)	6640 (1948)	5860 (1720)
	-5 (-20.6)	11543 (3383)	10864 (3185)	10185 (2985)	9496 (2783)	8808 (2581)	8129 (2382)	7450 (2183)	6771 (1984)	6092 (1786)	5413 (1588)	4734 (1385)
	-10 (-23.3)	9894 (2899)	9312 (2730)	8691 (2547)	8080 (2368)	7469 (2189)	6877 (2016)	6276 (1839)	5675 (1662)	5074 (1485)	4473 (1302)	3872 (1119)
	-15 (-26.1)	8429 (2471)	7886 (2312)	7333 (2150)	6780 (1988)	6247 (1830)	5704 (1671)	5180 (1518)	4656 (1365)	4132 (1169)	3608 (1016)	3084 (863)
	-20 (-28.9)	7081 (2076)	6586 (1930)	6092 (1786)	5616 (1646)	5131 (1504)	4656 (1365)	4190 (1228)	3712 (1041)	3236 (919)	2760 (777)	2284 (642)
-25 (-31.7)	5907 (1731)	5461 (1601)	5025 (1472)	4588 (1344)	4171 (1222)	3735 (1094)	3317 (972)	2900 (811)	2483 (700)	2066 (589)	1649 (483)	
TMHA031E6 Compressor Model CS18K6E	30 (-1.1)	31600 (9261)	29800 (8734)	28000 (8206)	26200 (7679)	24500 (7181)	22700 (6653)	20900 (6125)	19200 (5627)	17500 (5129)	15800 (4631)	14100 (4132)
	25 (-3.9)	29200 (8558)	27500 (8060)	25800 (7562)	24200 (7093)	22500 (6594)	20900 (6125)	19200 (5627)	17500 (5129)	15800 (4631)	14100 (4132)	12400 (3634)
	20 (-6.7)	26700 (7825)	25200 (7386)	23600 (6917)	22100 (6477)	20500 (6008)	19000 (5569)	17500 (5129)	15800 (4631)	14100 (4132)	12400 (3634)	10700 (3136)
	15 (-9.4)	24200 (7093)	22800 (6682)	21300 (6243)	19900 (5832)	18500 (5422)	17100 (5012)	15700 (4601)	14100 (4132)	12400 (3634)	10700 (3136)	9000 (2639)
	10 (-12.2)	21700 (6360)	20400 (5979)	19100 (5598)	17700 (5188)	16400 (4807)	15200 (4455)	13900 (4074)	12400 (3634)	10700 (3136)	9000 (2639)	7300 (2140)
	5 (-15.0)	19200 (5627)	18000 (5275)	16800 (4924)	15600 (4572)	14400 (4220)	13300 (3898)	12100 (3546)	10700 (3136)	9000 (2639)	7300 (2140)	5600 (1640)
	0 (-17.8)	16800 (4924)	15700 (4601)	14600 (4279)	13600 (3986)	12500 (3664)	11500 (3370)	10400 (3048)	9300 (2725)	8200 (2403)	7100 (2113)	6000 (1820)
	-5 (-20.6)	14065 (4123)	13192 (3866)	12222 (3582)	11252 (3298)	10379 (3042)	9419 (2761)	8555 (2507)	7691 (2253)	6827 (1945)	5963 (1691)	5100 (1436)
	-10 (-23.3)	12028 (3525)	11155 (3269)	10282 (3014)	9477 (2777)	8662 (2538)	7876 (2309)	7110 (2084)	6346 (1810)	5582 (1585)	4818 (1360)	4054 (1139)
	-15 (-26.1)	10088 (2957)	9361 (2743)	8623 (2528)	7886 (2312)	7178 (2104)	6499 (1905)	5849 (1714)	5189 (1518)	4529 (1323)	3869 (1136)	3209 (921)
	-20 (-28.9)	8429 (2471)	7779 (2280)	7130 (2089)	6509 (1908)	5898 (1729)	5325 (1561)	4792 (1405)	4260 (1244)	3728 (1076)	3196 (910)	2664 (756)
-25 (-31.7)	7013 (2055)	6460 (1893)	5917 (1734)	5384 (1578)	4889 (1433)	4414 (1294)	4006 (1174)	3598 (1054)	3180 (921)	2770 (800)	2352 (661)	

--- Outside Operating Range † Max 40°F RGT

**R404A - EXTENDED MEDIUM
TEMPERATURE
CAPACITY BTU/H (WATTS)**

CONDENSING UNIT MODEL	SATURATED SUCTION TEMPERATURE		AMBIENT TEMPERATURE ° F (° C)							
			80 (26.6)	85 (29.4)	90 (32.2)	95 (35.0)	100 (37.8)	105 (40.6)	110 (43.3)	
	° F	° C								
TMHA035E6 Compressor Model CS20K6E *	30	(-1.1)	35500 (10404)	33400 (9789)	31300 (9174)	29300 (8587)	27400 (8030)	25400 (7444)	23500 (6887)	
	25	(-3.9)	32100 (9408)	30200 (8851)	28300 (8294)	26400 (7737)	24600 (7210)	22800 (6682)	21000 (6155)	
	20	(-6.7)	29000 (8499)	27200 (7972)	25400 (7444)	23700 (6946)	22000 (6448)	20300 (5950)	18700 (5481)	
	15	(-9.4)	26000 (7620)	24400 (7151)	22800 (6682)	21200 (6213)	19600 (5744)	18100 (5305)	16600 (4865)	
	10	(-12.2)	23400 (6858)	21800 (6389)	20300 (5950)	18900 (5539)	17400 (5100)	16000 (4689)	14600 (4279)	
	5	(-15.0)	20800 (6096)	19500 (5715)	18100 (5305)	16700 (4894)	15400 (4513)	14100 (4132)	12900 (3781)	
	0	(-17.8)	18500 (5422)	17200 (5041)	16000 (4689)	14800 (4338)	13600 (3986)	12400 (3634)	11200 (3283)	
	-5	(-20.6)	15811 (4634)	14744 (4321)	13580 (3980)	12513 (3668)	11446 (3354)	10379 (3042)	9312 (2730)	
	-10	(-23.3)	13774 (4037)	12804 (3753)	11737 (3440)	10767 (3155)	9797 (2871)	8788 (2575)	7809 (2288)	
	-15	(-26.1)	11834 (3469)	10961 (3213)	9991 (2928)	9079 (2661)	8148 (2388)	7236 (2120)	6324 (1854)	
	-20	(-28.9)	9991 (2928)	9099 (2667)	8245 (2416)	7382 (2163)	6518 (1911)	5645 (1655)	4782 (1402)	
-25	(-31.7)	8032 (2354)	7256 (2126)	6451 (1891)	5636 (1652)	4811 (1410)	3987 (1169)	3153 (924)		
TMHA040E6 Compressor Model CS27K6E *	30	(-1.1)	48200 (14100)	45800 (13400)	43300 (12700)	40900 (12000)	38500 (11300)	36100 (10600)	33700 (9900)	
	25	(-3.9)	43800 (12800)	41600 (12200)	39400 (11500)	37200 (10900)	34900 (10200)	32700 (9600)	30500 (8900)	
	20	(-6.7)	39600 (11600)	37600 (11000)	35500 (10400)	33500 (9800)	31500 (9200)	29500 (8600)	27500 (8100)	
	15	(-9.4)	35600 (10400)	33700 (9900)	31900 (9300)	30000 (8800)	28200 (8300)	26400 (7700)	24500 (7200)	
	10	(-12.2)	31700 (9290)	30000 (8790)	28400 (8320)	26700 (7830)	25100 (7360)	23400 (6860)	21800 (6390)	
	5	(-15.0)	28000 (8210)	26500 (7770)	25000 (7330)	23600 (6920)	22100 (6480)	20600 (6040)	19200 (5630)	
	0	(-17.8)	24600 (7210)	23200 (6800)	21900 (6420)	20600 (6040)	19300 (5660)	18100 (5310)	16700 (4890)	
	-5	(-20.6)	20700 (6070)	19600 (5740)	18500 (5420)	17400 (5100)	16300 (4780)	15200 (4460)	14100 (4130)	
	-10	(-23.3)	17800 (5220)	16800 (4920)	15900 (4660)	14900 (4370)	14000 (4100)	13100 (3840)	12100 (3550)	
	-15	(-26.1)	15100 (4430)	14300 (4190)	13500 (3960)	12700 (3720)	12000 (3520)	11200 (3280)	10400 (3050)	
	-20	(-28.9)	12700 (3720)	12000 (3520)	11400 (3340)	10800 (3170)	10100 (2960)	9500 (2780)	8800 (2580)	
-25	(-31.7)	10500 (3080)	10000 (2930)	9500 (2780)	9000 (2640)	8600 (2520)	8100 (2370)	7500 (2200)		
TMHA050E6 Compressor Model CS33K6E *	30	(-1.1)	51600 (15100)	49000 (14400)	46400 (13600)	43800 (12800)	41300 (12100)	38800 (11400)	36300 (10600)	
	25	(-3.9)	47500 (13900)	45100 (13200)	42800 (12500)	40400 (11800)	38100 (11200)	35800 (10500)	33500 (9820)	
	20	(-6.7)	43400 (12700)	41300 (12100)	39100 (11500)	37000 (10800)	34800 (10200)	32700 (9580)	30600 (8970)	
	15	(-9.4)	39400 (11500)	37500 (11000)	35500 (10400)	33600 (9800)	31600 (9260)	29700 (8710)	27800 (8150)	
	10	(-12.2)	35500 (10410)	33700 (9880)	32000 (9380)	30200 (8850)	28400 (8320)	26700 (7830)	25000 (7330)	
	5	(-15.0)	31700 (9290)	30100 (8820)	28500 (8350)	26900 (7880)	25300 (7420)	23800 (6980)	22200 (6510)	
	0	(-17.8)	28000 (8210)	26600 (7800)	25200 (7390)	23800 (6980)	22400 (6570)	21000 (6160)	19500 (5720)	
	-5	(-20.6)	23800 (6980)	22600 (6620)	21400 (6270)	20200 (5920)	19000 (5570)	17800 (5220)	16500 (4840)	
	-10	(-23.3)	20700 (6070)	19700 (5770)	18600 (5450)	17500 (5130)	16400 (4810)	15300 (4480)	14200 (4160)	
	-15	(-26.1)	17900 (5250)	17000 (4980)	16100 (4720)	15100 (4430)	14100 (4130)	13100 (3840)	12100 (3550)	
	-20	(-28.9)	15500 (4540)	14700 (4310)	13800 (4040)	13000 (3810)	12100 (3550)	11200 (3280)	10300 (3020)	
-25	(-31.7)	13400 (3930)	12700 (3720)	12000 (3520)	11200 (3280)	10400 (3050)	9590 (2810)	8770 (2570)		

--- Outside Operating Range † Max 40°F RGT * Not suitable for use with R-507

CONDENSING UNIT MODEL	SATURATED SUCTION TEMPERATURE		AMBIENT TEMPERATURE ° F (° C)								
	° F	° C	80 (26.6)	85 (29.4)	90 (32.2)	95 (35)	100 (37.8)	105 (40.6)	110 (43.3)		
TMHA006L6 Compressor Model AFT22C1E *	15 (-9.4)		5700 (1671)	5310 (1556)	4960 (1454)	4650 (1363)	4370 (1281)	4130 (1210)	3920 (1149)		
	10 (-12.2)		5060 (1483)	4720 (1383)	4410 (1292)	4130 (1210)	3880 (1137)	3670 (1076)	3480 (1020)		
	5 (-15.0)		4490 (1316)	4190 (1228)	3920 (1149)	3680 (1079)	3450 (1011)	3270 (958)	3100 (909)		
	0 (-17.8)		3970 (1164)	3720 (1090)	3480 (1020)	3270 (958)	3070 (900)	2900 (850)	2750 (806)		
	-5 (-20.6)		3500 (1026)	3290 (964)	3080 (903)	2900 (850)	2730 (800)	2580 (756)	2440 (715)		
	-10 (-23.3)		3080 (903)	2890 (847)	2730 (800)	2580 (756)	2420 (709)	2280 (668)	2150 (630)		
	-15 (-26.1)		2700 (791)	2550 (747)	2410 (706)	2270 (665)	2130 (624)	2000 (586)	1870 (548)		
	-20 (-28.9)		2350 (689)	2240 (657)	2110 (618)	1990 (583)	1860 (545)	1730 (507)	1600 (469)		
	-25 (-31.7)		2030 (595)	1930 (566)	1820 (533)	1710 (501)	1590 (466)	1450 (425)	1310 (384)		
TMHA008L6 Compressor Model AFT26C1E *	15 (-9.4)		6820 (1999)	6480 (1899)	6140 (1800)	5800 (1700)	5470 (1603)	5160 (1512)	4870 (1427)		
	10 (-12.2)		6110 (1791)	5800 (1700)	5500 (1612)	5190 (1521)	4890 (1433)	4610 (1351)	4350 (1275)		
	5 (-15.0)		5420 (1589)	5150 (1509)	4900 (1436)	4620 (1354)	4350 (1275)	4100 (1202)	3870 (1134)		
	0 (-17.8)		4790 (1404)	4560 (1336)	4340 (1272)	4100 (1202)	3860 (1131)	3640 (1067)	3430 (1005)		
	-5 (-20.6)		4190 (1228)	4020 (1178)	3820 (1120)	3620 (1061)	3410 (999)	3210 (941)	3020 (885)		
	-10 (-23.3)		3660 (1073)	3510 (1029)	3350 (982)	3170 (929)	3000 (879)	2820 (826)	2650 (777)		
	-15 (-26.1)		3160 (926)	3060 (897)	2930 (859)	2780 (815)	2620 (768)	2460 (721)	2310 (677)		
	-20 (-28.9)		2720 (797)	2650 (777)	2540 (744)	2420 (709)	2290 (671)	2140 (627)	2000 (586)		
	-25 (-31.7)		2330 (683)	2280 (668)	2200 (645)	2100 (615)	1980 (580)	1850 (542)	1720 (504)		
TMHA010L6 Compressor Model CF04K6E *	10 (-12.2)		9580 (2808)	8920 (2614)	8250 (2418)	7590 (2225)	6930 (2031)	6280 (1841)	5640 (1653)		
	5 (-15.0)		8530 (2500)	7920 (2321)	7310 (2142)	6710 (1967)	6110 (1791)	5510 (1615)	4930 (1445)		
	0 (-17.8)		7560 (2216)	7010 (2055)	6460 (1893)	5910 (1732)	5370 (1574)	4820 (1413)	4280 (1254)		
	-5 (-20.6)		6680 (1958)	6180 (1811)	5690 (1668)	5180 (1518)	4690 (1375)	4200 (1231)	3720 (1090)		
	-10 (-23.3)		5870 (1720)	5420 (1589)	4970 (1457)	4520 (1325)	4070 (1193)	3640 (1067)	3200 (938)		
	-15 (-26.1)		5110 (1498)	4710 (1380)	4310 (1263)	3900 (1143)	3500 (1026)	3110 (911)	2740 (803)		
	-20 (-28.9)		4390 (1287)	4040 (1184)	3680 (1079)	3320 (973)	2960 (868)	2620 (768)	2290 (671)		
	-25 (-31.7)		3690 (1081)	3370 (988)	3050 (894)	2730 (800)	2420 (709)	2120 (621)	1830 (536)		
	-30 (-34.4)		2990 (876)	2700 (791)	2420 (709)	2130 (624)	1850 (542)	1600 (469)	1350 (396)		
TMHA020L6 Compressor Model CF06K6E *	10 (-12.2)		14900 (4367)	14100 (4132)	13200 (3869)	12400 (3634)	11600 (3400)	10700 (3136)	9900 (2902)		
	5 (-15.0)		13600 (3986)	12800 (3751)	12100 (3546)	11300 (3312)	10500 (3077)	9800 (2872)	8990 (2635)		
	0 (-17.8)		12300 (3605)	11600 (3400)	10900 (3195)	10200 (2989)	9500 (2784)	8770 (2570)	8050 (2359)		
	-5 (-20.6)		11000 (3224)	10400 (3048)	9700 (2843)	9100 (2667)	8420 (2468)	7770 (2277)	7130 (2090)		
	-10 (-23.3)		9700 (2843)	9100 (2667)	8530 (2500)	7940 (2327)	7350 (2154)	6780 (1987)	6200 (1817)		
	-15 (-26.1)		8480 (2485)	7920 (2321)	7390 (2166)	6850 (2008)	6320 (1852)	5810 (1703)	5290 (1550)		
	-20 (-28.9)		7270 (2131)	6770 (1984)	6280 (1841)	5800 (1700)	5340 (1565)	4870 (1427)	4430 (1298)		
	-25 (-31.7)		6140 (1800)	5690 (1668)	5240 (1536)	4810 (1410)	4400 (1290)	4010 (1175)	3630 (1064)		
	-30 (-34.4)		5100 (1495)	4680 (1372)	4280 (1254)	3900 (1143)	3550 (1040)	3210 (941)	2900 (850)		
TMHA025L6 Compressor Model CF09K6E *	10 (-12.2)		21900 (6419)	20700 (6067)	19500 (5715)	18300 (5363)	17100 (5012)	15900 (4660)	14800 (4338)		
	5 (-15.0)		19900 (5832)	18800 (5510)	17600 (5158)	16500 (4836)	15500 (4543)	14400 (4220)	13300 (3898)		
	0 (-17.8)		17900 (5246)	16900 (4953)	15900 (4660)	14900 (4367)	13800 (4045)	12900 (3781)	11900 (3488)		
	-5 (-20.6)		16000 (4689)	15100 (4426)	14100 (4132)	13200 (3869)	12300 (3605)	11400 (3341)	10500 (3077)		
	-10 (-23.3)		14200 (4162)	13300 (3898)	12500 (3664)	11600 (3400)	10800 (3165)	9980 (2925)	9180 (2691)		
	-15 (-26.1)		12500 (3664)	11700 (3429)	10900 (3195)	10100 (2960)	9370 (2746)	8630 (2529)	7900 (2315)		
	-20 (-28.9)		10800 (3165)	10100 (2960)	9390 (2752)	8690 (2547)	8010 (2348)	7350 (2154)	6700 (1964)		
	-25 (-31.7)		9250 (2711)	8600 (2521)	7970 (2336)	7340 (2151)	6740 (1975)	6150 (1802)	5560 (1630)		
	-30 (-34.4)		7790 (2283)	7210 (2113)	6640 (1946)	6090 (1785)	5540 (1624)	5020 (1471)	4510 (1322)		
TMHA031L6 Compressor Model CF12K6E *	10 (-12.2)		27400 (8030)	25900 (7591)	24300 (7122)	22800 (6682)	21300 (6243)	19800 (5803)	18400 (5393)		
	5 (-15.0)		24900 (7298)	23500 (6887)	22100 (6477)	20700 (6067)	19300 (5657)	18000 (5275)	16600 (4865)		
	0 (-17.8)		22500 (6594)	21200 (6213)	19900 (5832)	18700 (5481)	17400 (5100)	16200 (4748)	14900 (4367)		
	-5 (-20.6)		20200 (5920)	19000 (5569)	17900 (5246)	16700 (4894)	15600 (4572)	14400 (4220)	13300 (3898)		
	-10 (-23.3)		18000 (5275)	17000 (4982)	15900 (4660)	14900 (4367)	13800 (4045)	12800 (3751)	11800 (3458)		
	-15 (-26.1)		15900 (4660)	15000 (4396)	14000 (4103)	13100 (3839)	12100 (3546)	11200 (3283)	10300 (3019)		
	-20 (-28.9)		14000 (4103)	13100 (3839)	12200 (3576)	11400 (3341)	10500 (3077)	9670 (2834)	8850 (2594)		
	-25 (-31.7)		12100 (3546)	11300 (3312)	10500 (3077)	9720 (2849)	8940 (2620)	8170 (2394)	7420 (2175)		
	-30 (-34.4)		10300 (3019)	9570 (2805)	8840 (2591)	8120 (2380)	7400 (2169)	6680 (1958)	5990 (1756)		

--- Outside Operating Range † Max 40°F RGT * Not suitable for use with R-507

CONDENSING UNIT MODEL	SATURATED SUCTION TEMPERATURE		AMBIENT TEMPERATURE ° F (° C)						
	° F	° C	80 (26.6)	85 (29.4)	90 (32.2)	95 (35)	100 (37.8)	105 (40.6)	110 (43.3)
TMHS011H2 Compressor Model H29B14U	45 (7.2)	15600 (4572)	14900 (4367)	14300 (4191)	13600 (3986)	12900 (3781)	12300 (3605)	11700 (3429)	
	40 (4.4)	14200 (4162)	13500 (3957)	12900 (3781)	12200 (3576)	11600 (3400)	11000 (3224)	10400 (3048)	
	35 (1.7)	12800 (3751)	12100 (3546)	11500 (3370)	10900 (3195)	10300 (3019)	9740 (2855)	9170 (2688)	
	30 (-1.1)	11400 (3341)	10800 (3165)	10200 (2989)	9620 (2819)	9050 (2652)	8490 (2488)	7930 (2324)	
	25 (-3.9)	9950 (2916)	9410 (2758)	8880 (2603)	8340 (2444)	7800 (2286)	7260 (2128)	6720 (1970)	
	20 (-6.7)	8590 (2518)	8100 (2374)	7600 (2227)	7100 (2081)	6580 (1928)	6070 (1779)	5540 (1624)	
	15 (-9.4)	7260 (2128)	6820 (1999)	6370 (1867)	5890 (1726)	5410 (1586)	4910 (1439)	4400 (1290)	
	10 (-12.2)	5990 (1756)	5600 (1641)	5180 (1518)	4740 (1389)	4280 (1254)	3800 (1114)	3310 (970)	
	5 (-15.0)	4790 (1404)	4440 (1301)	4060 (1190)	3650 (1070)	3210 (941)	2750 (806)	2260 (662)	
0 (-17.8)	3660 (1073)	3350 (982)	3010 (882)	2630 (771)	2210 (648)	1760 (516)	1280 (375)		
TMHS015H2 Compressor Model H29B18U	45 (7.2)	20600 (6038)	19700 (5774)	18800 (5510)	18000 (5275)	17100 (5012)	16300 (4777)	15500 (4543)	
	40 (4.4)	18700 (5481)	17900 (5246)	17100 (5012)	16300 (4777)	15500 (4543)	14700 (4308)	13900 (4074)	
	35 (1.7)	16800 (4924)	16000 (4689)	15300 (4484)	14500 (4250)	13800 (4045)	13100 (3839)	12300 (3605)	
	30 (-1.1)	15000 (4396)	14200 (4162)	13500 (3957)	12800 (3751)	12100 (3546)	11500 (3370)	10800 (3165)	
	25 (-3.9)	13100 (3839)	12500 (3664)	11800 (3458)	11200 (3283)	10500 (3077)	9880 (2896)	9240 (2708)	
	20 (-6.7)	11300 (3312)	10700 (3136)	10100 (2960)	9530 (2793)	8930 (2617)	8330 (2441)	7750 (2271)	
	15 (-9.4)	9610 (2817)	9060 (2655)	8510 (2494)	7950 (2330)	7410 (2172)	6850 (2008)	6290 (1843)	
	10 (-12.2)	7960 (2333)	7470 (2189)	6960 (2040)	6460 (1893)	5940 (1741)	5430 (1591)	4910 (1439)	
	5 (-15.0)	6410 (1879)	5960 (1747)	5500 (1612)	5040 (1477)	4570 (1339)	4100 (1202)	3620 (1061)	
0 (-17.8)	4960 (1454)	4560 (1336)	4150 (1216)	3730 (1093)	3300 (967)	2850 (835)	2400 (703)		
TMHS020H2 Compressor Model H29B24U	45 (7.2)	28300 (8294)	27100 (7943)	26000 (7620)	24900 (7298)	23700 (6946)	22600 (6624)	21500 (6301)	
	40 (4.4)	25500 (7474)	24400 (7151)	23400 (6858)	22300 (6536)	21200 (6213)	20200 (5920)	19100 (5598)	
	35 (1.7)	22800 (6682)	21800 (6389)	20800 (6096)	19800 (5803)	18800 (5510)	17800 (5217)	16900 (4953)	
	30 (-1.1)	20200 (5920)	19300 (5657)	18400 (5393)	17400 (5100)	16500 (4836)	15600 (4572)	14700 (4308)	
	25 (-3.9)	17700 (5188)	16900 (4953)	16000 (4689)	15200 (4455)	14300 (4191)	13500 (3957)	12700 (3722)	
	20 (-6.7)	15300 (4484)	14600 (4279)	13800 (4045)	13000 (3810)	12300 (3605)	11500 (3370)	10800 (3165)	
	15 (-9.4)	13100 (3839)	12400 (3634)	11700 (3429)	11000 (3224)	10400 (3048)	9720 (2849)	9110 (2670)	
	10 (-12.2)	10900 (3195)	10300 (3019)	9730 (2852)	9160 (2685)	8610 (2523)	8090 (2371)	7580 (2222)	
	5 (-15.0)	8930 (2617)	8440 (2474)	7950 (2330)	7490 (2195)	7060 (2069)	6640 (1946)	6260 (1835)	
0 (-17.8)	7120 (2087)	6730 (1972)	6370 (1867)	6030 (1767)	5720 (1676)	5440 (1594)	5190 (1521)		
TMHS031H2 Compressor Model H29B35U	45 (7.2)	39100 (11460)	37700 (11049)	36300 (10639)	34800 (10199)	33400 (9789)	32000 (9379)	30600 (8968)	
	40 (4.4)	35800 (10492)	34400 (10082)	33100 (9701)	31700 (9291)	30400 (8910)	29100 (8529)	27800 (8148)	
	35 (1.7)	32500 (9525)	31200 (9144)	30000 (8792)	28700 (8411)	27500 (8060)	26300 (7708)	25100 (7356)	
	30 (-1.1)	29300 (8587)	28100 (8236)	27000 (7913)	25800 (7562)	24700 (7239)	23500 (6887)	22400 (6565)	
	25 (-3.9)	26200 (7679)	25100 (7356)	24100 (7063)	23000 (6741)	21900 (6419)	20900 (6125)	19800 (5803)	
	20 (-6.7)	23200 (6800)	22200 (6506)	21200 (6213)	20200 (5920)	19300 (5657)	18300 (5363)	17400 (5100)	
	15 (-9.4)	20400 (5979)	19500 (5715)	18600 (5451)	17600 (5158)	16700 (4894)	15900 (4660)	15000 (4396)	
	10 (-12.2)	17700 (5188)	16800 (4924)	16000 (4689)	15200 (4455)	14300 (4191)	13500 (3957)	12800 (3751)	
	5 (-15.0)	15100 (4426)	14300 (4191)	13600 (3986)	12800 (3751)	12100 (3546)	11300 (3312)	10700 (3136)	
0 (-17.8)	12700 (3722)	12000 (3517)	11300 (3312)	10600 (3107)	9940 (2913)	9290 (2723)	8680 (2544)		
TMHS035H2 Compressor Model H23A423	45 (7.2)	113300 (33206)	42200 (12368)	40600 (11899)	39000 (11430)	37500 (10991)	35900 (10522)	34300 (10053)	
	40 (4.4)	40000 (11723)	38500 (11284)	37000 (10844)	35600 (10434)	34100 (9994)	32700 (9584)	31200 (9144)	
	35 (1.7)	36200 (10610)	34900 (10229)	33500 (9818)	32200 (9437)	30900 (9056)	29600 (8675)	28200 (8265)	
	30 (-1.1)	32600 (9555)	31400 (9203)	30100 (8822)	28900 (8470)	27700 (8118)	26500 (7767)	25400 (7444)	
	25 (-3.9)	29100 (8529)	28000 (8206)	26900 (7884)	25800 (7562)	24700 (7239)	23600 (6917)	22600 (6624)	
	20 (-6.7)	25800 (7562)	24800 (7268)	23800 (6975)	22800 (6682)	21800 (6389)	20900 (6125)	20000 (5862)	
	15 (-9.4)	22700 (6653)	21800 (6389)	20900 (6125)	20000 (5862)	19100 (5598)	18300 (5363)	17500 (5129)	
	10 (-12.2)	19800 (5803)	18900 (5539)	18100 (5305)	17300 (5070)	16600 (4865)	15800 (4631)	15100 (4426)	
	5 (-15.0)	17100 (5012)	16300 (4777)	15600 (4572)	14900 (4367)	14200 (4162)	13600 (3986)	12900 (3781)	
0 (-17.8)	14600 (4279)	13900 (4074)	13300 (3898)	12600 (3693)	12100 (3546)	11500 (3370)	10900 (3195)		

CONDENSING UNIT MODEL	SATURATED SUCTION TEMPERATURE		AMBIENT TEMPERATURE ° F (° C)								
	° F	° C	80 (26.6)	85 (29.4)	90 (32.2)	95 (35)	100 (37.8)	105 (40.6)	110 (43.3)		
TMHS040H2 Compressor Model H23A543	45 (7.2)		59000 (17292)	56800 (16647)	54800 (16061)	52700 (15445)	50700 (14859)	48600 (14244)	46600 (13658)		
	40 (4.4)		53800 (15768)	51800 (15182)	49900 (14625)	48000 (14068)	46200 (13540)	44300 (12984)	42400 (12427)		
	35 (1.7)		48800 (14302)	47000 (13775)	45200 (13247)	43400 (12720)	41700 (12222)	40000 (11723)	38300 (11225)		
	30 (-1.1)		43900 (12866)	42200 (12368)	40600 (11899)	39000 (11430)	37500 (10991)	35900 (10522)	34400 (10082)		
	25 (-3.9)		39200 (11489)	37600 (11020)	36200 (10610)	34700 (10170)	33300 (9760)	31900 (9349)	30600 (8968)		
	20 (-6.7)		34700 (10170)	33300 (9760)	31900 (9349)	30600 (8968)	29400 (8617)	28100 (8236)	26900 (7884)		
	15 (-9.4)		30500 (8939)	29200 (8558)	27900 (8177)	26700 (7825)	25600 (7503)	24500 (7181)	23500 (6887)		
	10 (-12.2)		26500 (7767)	25300 (7415)	24200 (7093)	23100 (6770)	22100 (6477)	21200 (6213)	20200 (5920)		
	5 (-15.0)		22900 (6712)	21700 (6360)	20700 (6067)	19800 (5803)	18900 (5539)	18100 (5305)	17300 (5070)		
	0 (-17.8)		19500 (5715)	18500 (5422)	17600 (5158)	16700 (4894)	16000 (4689)	15300 (4484)	14600 (4279)		
TMHS050H2 Compressor Model H23A623	45 (7.2)		64500 (18904)	62300 (18259)	60200 (17644)	58100 (17028)	56000 (16413)	53800 (15768)	51500 (15094)		
	40 (4.4)		59500 (17438)	57400 (16823)	55500 (16266)	53600 (15709)	51700 (15152)	49700 (14566)	47600 (13951)		
	35 (1.7)		54300 (15914)	52400 (15358)	50700 (14859)	49000 (14361)	47300 (13863)	45500 (13335)	43600 (12778)		
	30 (-1.1)		49200 (14420)	47500 (13921)	45900 (13453)	44300 (12984)	42800 (12544)	41200 (12075)	39500 (11577)		
	25 (-3.9)		44100 (12925)	42500 (12456)	41100 (12046)	39700 (11635)	38300 (11225)	36900 (10815)	35400 (10375)		
	20 (-6.7)		39200 (11489)	37700 (11049)	36300 (10639)	35100 (10287)	33900 (9936)	32700 (9584)	31300 (9174)		
	15 (-9.4)		34400 (10082)	33000 (9672)	31800 (9320)	30700 (8998)	29700 (8705)	28600 (8382)	27400 (8030)		
	10 (-12.2)		29800 (8734)	28500 (8353)	27500 (8060)	26500 (7767)	25600 (7503)	24600 (7210)	23600 (6917)		
	5 (-15.0)		25600 (7503)	24400 (7151)	23400 (6858)	22600 (6624)	21800 (6389)	21000 (6155)	20000 (5862)		
	0 (-17.8)		21800 (6389)	20700 (6067)	19800 (5803)	19000 (5569)	18300 (5363)	17600 (5158)	16800 (4924)		

--- Outside Operating Range † Max 40°F RGT

**R404A - EXTENDED MEDIUM
TEMPERATURE
CAPACITY BTU/H (WATTS)**

CONDENSING UNIT MODEL	SATURATED SUCTION TEMPERATURE		AMBIENT TEMPERATURE ° F (° C)						
	° F	° C	80 (26.6)	85 (29.4)	90 (32.2)	95 (35)	100 (37.8)	105 (40.6)	110 (43.3)
TMHD016M6 Compressor Model MTZ18	35	(1.7)	18800 (5510)	17800 (5217)	16700 (4894)	15600 (4572)	14400 (4220)	13200 (3869)	12000 (3517)
	30	(-1.1)	17400 (5100)	16500 (4836)	15500 (4543)	14500 (4250)	13400 (3927)	12300 (3605)	11200 (3283)
	25	(-3.9)	16100 (4719)	15200 (4455)	14300 (4191)	13400 (3927)	12400 (3634)	11400 (3341)	10400 (3048)
	20	(-6.7)	14700 (4308)	13900 (4074)	13100 (3839)	12300 (3605)	11400 (3341)	10500 (3077)	9520 (2790)
	15	(-9.4)	13300 (3898)	12600 (3693)	11900 (3488)	11200 (3283)	10400 (3048)	9540 (2796)	8660 (2538)
	10	(-12.2)	12000 (3517)	11400 (3341)	10800 (3165)	10100 (2960)	9350 (2740)	8590 (2518)	7790 (2283)
	5	(-15.0)	10700 (3136)	10200 (2989)	9590 (2811)	8980 (2632)	8330 (2441)	7640 (2239)	6920 (2028)
	0	(-17.8)	9430 (2764)	8970 (2629)	8460 (2479)	7910 (2318)	7330 (2148)	6710 (1967)	6050 (1773)
	-5	(-20.6)	8230 (2412)	7820 (2292)	7360 (2157)	6870 (2013)	6340 (1858)	5780 (1694)	5180 (1518)
-10	(-23.3)	7080 (2075)	6710 (1967)	6300 (1846)	5860 (1717)	5390 (1580)	4870 (1427)	4330 (1269)	
TMHD021M6 Compressor Model MTZ22	35	(1.7)	23900 (7005)	22700 (6653)	21400 (6272)	20200 (5920)	18900 (5539)	17500 (5129)	16200 (4748)
	30	(-1.1)	21900 (6419)	20800 (6096)	19700 (5774)	18600 (5451)	17400 (5100)	16100 (4719)	14900 (4367)
	25	(-3.9)	20000 (5862)	19000 (5569)	18000 (5275)	17000 (4982)	15900 (4660)	14800 (4338)	13600 (3986)
	20	(-6.7)	18100 (5305)	17300 (5070)	16400 (4807)	15400 (4513)	14400 (4220)	13400 (3927)	12400 (3634)
	15	(-9.4)	16400 (4807)	15600 (4572)	14700 (4308)	13900 (4074)	13000 (3810)	12100 (3546)	11200 (3283)
	10	(-12.2)	14700 (4308)	13900 (4074)	13200 (3869)	12500 (3664)	11700 (3429)	10800 (3165)	10000 (2931)
	5	(-15.0)	13000 (3810)	12400 (3634)	11700 (3429)	11100 (3253)	10400 (3048)	9610 (2817)	8850 (2594)
	0	(-17.8)	11500 (3370)	10900 (3195)	10300 (3019)	9720 (2849)	9080 (2661)	8420 (2468)	7740 (2268)
	-5	(-20.6)	10100 (2960)	9570 (2805)	9020 (2644)	8460 (2479)	7880 (2309)	7270 (2131)	6650 (1949)
-10	(-23.3)	8790 (2576)	8290 (2430)	7790 (2283)	7260 (2128)	6730 (1972)	6180 (1811)	5610 (1644)	
TMHD025M6 Compressor Model MTZ28	35	(1.7)	28900 (8470)	27500 (8060)	26100 (7649)	24600 (7210)	23200 (6800)	21700 (6360)	20100 (5891)
	30	(-1.1)	26400 (7737)	25200 (7386)	23800 (6975)	22500 (6594)	21200 (6213)	19800 (5803)	18400 (5393)
	25	(-3.9)	24000 (7034)	22900 (6712)	21700 (6360)	20500 (6008)	19300 (5657)	18000 (5275)	16800 (4924)
	20	(-6.7)	21700 (6360)	20700 (6067)	19600 (5744)	18500 (5422)	17400 (5100)	16300 (4777)	15200 (4455)
	15	(-9.4)	19600 (5744)	18600 (5451)	17600 (5158)	16600 (4865)	15600 (4572)	14600 (4279)	13600 (3986)
	10	(-12.2)	17500 (5129)	16600 (4865)	15800 (4631)	14900 (4367)	14000 (4103)	13100 (3839)	12100 (3546)
	5	(-15.0)	15600 (4572)	14800 (4338)	14000 (4103)	13200 (3869)	12400 (3634)	11500 (3370)	10700 (3136)
	0	(-17.8)	13800 (4045)	13100 (3839)	12300 (3605)	11600 (3400)	10800 (3165)	10100 (2960)	9360 (2743)
	-5	(-20.6)	12200 (3576)	11500 (3370)	10800 (3165)	10100 (2960)	9420 (2761)	8740 (2562)	8080 (2368)
-10	(-23.3)	10700 (3136)	10100 (2960)	9390 (2752)	8730 (2559)	8100 (2374)	7470 (2189)	6860 (2011)	
TMHD031M6 Compressor Model MTZ36	35	(1.7)	34100 (9994)	32400 (9496)	30700 (8998)	29000 (8499)	27200 (7972)	25500 (7474)	23700 (6946)
	30	(-1.1)	31400 (9203)	29800 (8734)	28300 (8294)	26700 (7825)	25100 (7356)	23500 (6887)	21800 (6389)
	25	(-3.9)	28700 (8411)	27300 (8001)	25900 (7591)	24400 (7151)	23000 (6741)	21500 (6301)	20000 (5862)
	20	(-6.7)	26100 (7649)	24800 (7268)	23500 (6887)	22200 (6506)	20900 (6125)	19600 (5744)	18200 (5334)
	15	(-9.4)	23600 (6917)	22500 (6594)	21300 (6243)	20100 (5891)	18900 (5539)	17700 (5188)	16500 (4836)
	10	(-12.2)	21300 (6243)	20200 (5920)	19100 (5598)	18000 (5275)	17000 (4982)	15900 (4660)	14800 (4338)
	5	(-15.0)	19100 (5598)	18100 (5305)	17100 (5012)	16100 (4719)	15100 (4426)	14100 (4132)	13100 (3839)
	0	(-17.8)	17000 (4982)	16100 (4719)	15100 (4426)	14200 (4162)	13300 (3898)	12400 (3634)	11500 (3370)
	-5	(-20.6)	15100 (4426)	14200 (4162)	13300 (3898)	12500 (3664)	11600 (3400)	10800 (3165)	9960 (2919)
-10	(-23.3)	13300 (3898)	12400 (3634)	11600 (3400)	10800 (3165)	10000 (2931)	9240 (2708)	8490 (2488)	
TMHD036M6 Compressor Model MTZ44	35	(1.7)	40400 (11841)	38300 (11225)	36100 (10580)	33800 (9906)	31600 (9261)	29400 (8617)	27100 (7943)
	30	(-1.1)	37200 (10903)	35200 (10317)	33200 (9730)	31200 (9144)	29100 (8529)	27100 (7943)	25000 (7327)
	25	(-3.9)	34100 (9994)	32200 (9437)	30400 (8910)	28500 (8353)	26700 (7825)	24800 (7268)	22900 (6712)
	20	(-6.7)	31000 (9086)	29300 (8587)	27600 (8089)	25900 (7591)	24200 (7093)	22500 (6594)	20800 (6096)
	15	(-9.4)	28100 (8236)	26500 (7767)	25000 (7327)	23400 (6858)	21800 (6389)	20300 (5950)	18700 (5481)
	10	(-12.2)	25300 (7415)	23800 (6975)	22400 (6565)	20900 (6125)	19500 (5715)	18100 (5305)	16700 (4894)
	5	(-15.0)	22600 (6624)	21200 (6213)	19900 (5832)	18600 (5451)	17300 (5070)	16000 (4689)	14700 (4308)
	0	(-17.8)	20100 (5891)	18800 (5510)	17600 (5158)	16300 (4777)	15100 (4426)	14000 (4103)	12800 (3751)
	-5	(-20.6)	17800 (5217)	16600 (4865)	15400 (4513)	14200 (4162)	13100 (3839)	12000 (3517)	10900 (3195)
-10	(-23.3)	15600 (4572)	14500 (4250)	13300 (3898)	12200 (3576)	11200 (3283)	10200 (2989)	9170 (2688)	

--- Outside Operating Range † Max 40°F RGT

**R404 - EXTENDED MEDIUM
TEMPERATURE
CAPACITY BTU/H (WATTS)**

CONDENSING UNIT MODEL	SATURATED SUCTION TEMPERATURE		AMBIENT TEMPERATURE ° F (° C)							
	° F	° C	80 (26.6)	85 (29.4)	90 (32.2)	95 (35)	100 (37.8)	105 (40.6)	110 (43.3)	
	TMHD040M6 Compressor Model MTZ50	35 (1.7)	51800 (15182)	49200 (14420)	46600 (13658)	44000 (12896)	41300 (12104)	38600 (11313)	35900 (10522)	
30 (-1.1)		47500 (13921)	45100 (13218)	42700 (12515)	40300 (11811)	37900 (11108)	35400 (10375)	32900 (9642)		
25 (-3.9)		43300 (12691)	41100 (12046)	38900 (11401)	36700 (10756)	34500 (10111)	32200 (9437)	30000 (8792)		
20 (-6.7)		39300 (11518)	37300 (10932)	35300 (10346)	33300 (9760)	31200 (9144)	29200 (8558)	27100 (7943)		
15 (-9.4)		35500 (10404)	33700 (9877)	31800 (9320)	29900 (8763)	28100 (8236)	26200 (7679)	24400 (7151)		
10 (-12.2)		31900 (9349)	30200 (8851)	28500 (8353)	26800 (7855)	25100 (7356)	23400 (6858)	21700 (6360)		
5 (-15.0)		28500 (8353)	26900 (7884)	25300 (7415)	23800 (6975)	22200 (6506)	20600 (6038)	19100 (5598)		
0 (-17.8)		25400 (7444)	23900 (7005)	22400 (6565)	20900 (6125)	19500 (5715)	18000 (5275)	16600 (4865)		
-5 (-20.6)		22500 (6594)	21100 (6184)	19700 (5774)	18300 (5363)	16900 (4953)	15600 (4572)	14300 (4191)		
-10 (-23.3)		19900 (5832)	18500 (5422)	17100 (5012)	15800 (4631)	14500 (4250)	13300 (3898)	12100 (3546)		
TMHD050M6 Compressor Model MTZ56	35 (1.7)	55400 (16237)	52700 (15445)	49900 (14625)	47000 (13775)	44200 (12954)	41300 (12104)	38500 (11284)		
	30 (-1.1)	51100 (14977)	48500 (14215)	45900 (13453)	43400 (12720)	40800 (11958)	38100 (11166)	35500 (10404)		
	25 (-3.9)	46800 (13716)	44500 (13042)	42100 (12339)	39700 (11635)	37300 (10932)	34900 (10229)	32500 (9525)		
	20 (-6.7)	42700 (12515)	40500 (11870)	38400 (11254)	36200 (10610)	34000 (9965)	31800 (9320)	29600 (8675)		
	15 (-9.4)	38700 (11342)	36700 (10756)	34700 (10170)	32700 (9584)	30700 (8998)	28700 (8411)	26700 (7825)		
	10 (-12.2)	34900 (10229)	33000 (9672)	31200 (9144)	29400 (8617)	27500 (8060)	25700 (7532)	23900 (7005)		
	5 (-15.0)	31300 (9174)	29600 (8675)	27800 (8148)	26100 (7649)	24500 (7181)	22800 (6682)	21100 (6184)		
	0 (-17.8)	27900 (8177)	26200 (7679)	24600 (7210)	23100 (6770)	21500 (6301)	20000 (5862)	18400 (5393)		
	-5 (-20.6)	24700 (7239)	23100 (6770)	21600 (6331)	20100 (5891)	18700 (5481)	17200 (5041)	15800 (4631)		
	-10 (-23.3)	21700 (6360)	20200 (5920)	18800 (5510)	17400 (5100)	16000 (4689)	14600 (4279)	13300 (3898)		

--- Outside Operating Range † Max 40°F RGT

TMHD**R404 - LOW TEMPERATURE
CAPACITY BTU/H (WATTS)****60Hz****MANEUROP**

CONDENSING UNIT MODEL	SATURATED SUCTION TEMPERATURE		AMBIENT TEMPERATURE ° F (° C)							
	° F	° C	80 (26.6)	85 (29.4)	90 (32.2)	95 (35)	100 (37.8)	105 (40.6)	110 (43.3)	
TMHD015L6 Compressor Model LTZ22	-5 (-20.6)		9940 (2913)	9300 (2726)	8670 (2541)	8040 (2356)	7450 (2183)	6850 (2008)	6280 (1841)	
	-10 (-23.3)		8810 (2582)	8230 (2412)	7660 (2245)	7110 (2084)	6570 (1926)	6050 (1773)	5550 (1627)	
	-15 (-26.1)		7740 (2268)	7220 (2116)	6720 (1970)	6220 (1823)	5750 (1685)	5290 (1550)	4850 (1421)	
	-20 (-28.9)		6750 (1978)	6280 (1841)	5830 (1709)	5400 (1583)	4970 (1457)	4570 (1339)	4200 (1231)	
	-25 (-31.7)		5830 (1709)	5420 (1589)	5020 (1471)	4620 (1354)	4250 (1246)	3900 (1143)	3580 (1049)	
	-30 (-34.4)		5010 (1468)	4620 (1354)	4260 (1249)	3910 (1146)	3580 (1049)	3290 (964)	3010 (882)	
	-35 (-37.2)		4250 (1246)	3910 (1146)	3580 (1049)	3280 (961)	2980 (873)	2710 (794)	2480 (727)	
	-40 (-40.0)		3590 (1052)	3280 (961)	2980 (873)	2690 (788)	2420 (709)	2190 (642)	1990 (583)	
TMHD025L6 Compressor Model LTZ28	-5 (-20.6)		14400 (4220)	13600 (3986)	12800 (3751)	11900 (3488)	11100 (3253)	10300 (3019)	9500 (2784)	
	-10 (-23.3)		12900 (3781)	12100 (3546)	11400 (3341)	10600 (3107)	9860 (2890)	9120 (2673)	8400 (2462)	
	-15 (-26.1)		11400 (3341)	10700 (3136)	10000 (2931)	9330 (2734)	8660 (2538)	8010 (2348)	7360 (2157)	
	-20 (-28.9)		10000 (2931)	9380 (2749)	8770 (2570)	8160 (2392)	7560 (2216)	6970 (2043)	6400 (1876)	
	-25 (-31.7)		8740 (2562)	8180 (2397)	7620 (2233)	7070 (2072)	6520 (1911)	5990 (1756)	5490 (1609)	
	-30 (-34.4)		7590 (2225)	7080 (2075)	6570 (1926)	6070 (1779)	5570 (1632)	5090 (1492)	4640 (1360)	
	-35 (-37.2)		6560 (1923)	6080 (1782)	5600 (1641)	5140 (1506)	4690 (1375)	4250 (1246)	3840 (1125)	
	-40 (-40.0)		5620 (1647)	5170 (1515)	4730 (1386)	4300 (1260)	3870 (1134)	3470 (1017)	3090 (906)	
TMHD031L6 Compressor Model LTZ40	-5 (-20.6)		21100 (6184)	19900 (5832)	18600 (5451)	17400 (5100)	16100 (4719)	14900 (4367)	13700 (4015)	
	-10 (-23.3)		18700 (5481)	17600 (5158)	16500 (4836)	15400 (4513)	14300 (4191)	13200 (3869)	12100 (3546)	
	-15 (-26.1)		16500 (4836)	15500 (4543)	14600 (4279)	13600 (3986)	12600 (3693)	11600 (3400)	10700 (3136)	
	-20 (-28.9)		14500 (4250)	13600 (3986)	12700 (3722)	11900 (3488)	11000 (3224)	10100 (2960)	9310 (2729)	
	-25 (-31.7)		12700 (3722)	11900 (3488)	11100 (3253)	10300 (3019)	9540 (2796)	8780 (2573)	8040 (2356)	
	-30 (-34.4)		11000 (3224)	10300 (3019)	9560 (2802)	8870 (2600)	8180 (2397)	7520 (2204)	6870 (2013)	
	-35 (-37.2)		9490 (2781)	8830 (2588)	8190 (2400)	7550 (2213)	6940 (2034)	6340 (1858)	5780 (1694)	
	-40 (-40.0)		8150 (2389)	7540 (2210)	6940 (2034)	6370 (1867)	5800 (1700)	5260 (1542)	4760 (1395)	
TMHD040L6 Compressor Model LTZ50	-5 (-20.6)		30600 (8968)	29000 (8499)	27300 (8001)	25600 (7503)	23900 (7005)	22200 (6506)	20600 (6038)	
	-10 (-23.3)		27200 (7972)	25800 (7562)	24300 (7122)	22800 (6682)	21200 (6213)	19700 (5774)	18200 (5334)	
	-15 (-26.1)		24100 (7063)	22800 (6682)	21400 (6272)	20100 (5891)	18700 (5481)	17400 (5100)	16100 (4719)	
	-20 (-28.9)		21200 (6213)	20000 (5862)	18800 (5510)	17600 (5158)	16400 (4807)	15200 (4455)	14000 (4103)	
	-25 (-31.7)		18500 (5422)	17500 (5129)	16400 (4807)	15300 (4484)	14300 (4191)	13200 (3869)	12200 (3576)	
	-30 (-34.4)		16100 (4719)	15200 (4455)	14200 (4162)	13200 (3869)	12300 (3605)	11300 (3312)	10400 (3048)	
	-35 (-37.2)		14000 (4103)	13100 (3839)	12200 (3576)	11300 (3312)	10400 (3048)	9590 (2811)	8730 (2559)	
	-40 (-40.0)		12000 (3517)	11200 (3283)	10400 (3048)	9560 (2802)	8760 (2567)	7960 (2333)	7180 (2104)	

--- Outside Operating Range † Max 40°F RGT

CONDENSING UNIT MODEL	COMPRESSOR MODEL NO.	POWER SUPPLY	COMPRESSOR		CONDENSER FAN MOTOR		UNIT		
			RLA	LRA	QTY	FLA	MCA	MOP	
TMHA005H2-*	-S1A	ARE59C3-CAA	115/1/60	7.2	36.0	1	1.2	10.2	15
	-S2A	ARE59C3-CAV	208-230/1/60	3.6	25.9	1	0.5	5.0	15
TMHA008H2-*	-S1A	RS47C2-IAA	115/1/60	12.8	66.3	1	1.2	17.2	25
	-S2A	RS47C2-IAV	208-230/1/60	6.4	35.5	1	0.5	8.5	15
TMHA011H2-*	-S1A	RS70C1-PAA	115/1/60	15.0	72.5	1	1.2	20.0	30
	-S2A	RS70C1-PFV	208-230/1/60	6.3	34.2	1	0.5	8.4	15
	-T3A	RS70C1-TFC	208-230/3/60	4.2	31.0	1	0.5	5.8	15
TMHA015H2-*	-S2A	CR18KQ-PFV	208-230/1/60	8.1	41.0	1	0.5	10.6	15
	-T3A	CR18KQ-TF5	208-230/3/60	5.4	49.0	1	0.5	7.3	15
TMHA020H2-*	-S2A	CR24KQ-PFV	208-230/1/60	12.2	70.5	1	1.1	16.3	25
	-T3A	CR24KQ-TF5	208-230/3/60	6.7	51.0	1	1.1	9.5	15
TMHA025H2-*	-S2A	CR32KQ-PFV	208-230/1/60	15.3	83.0	1	1.1	20.2	35
	-T3A	CR32KQ-TF5	208-230/3/60	8.8	63.0	1	1.1	12.2	20
TMHA031H2-*	-S2A	CR37KQ-PFV	208-230/1/60	16.7	100.0	1	1.1	21.9	35
	-T3A	CR37KQ-TF5	208-230/3/60	9.9	85.0	1	1.1	13.5	20
TMHA035H2-*	-S2A	CR41KQ-PFV	208-230/1/60	17.4	109.6	1	1.1	22.8	40
	-T3A	CR41KQ-TF5	208-230/3/60	11.8	80.0	1	1.1	15.8	25
TMHA040H2-*	-S2A	CR53KQ-PFV	208-230/1/60	26.0	140.0	1	2.1	34.6	60
	-T3A	CR53KQ-TF5	208-230/3/60	16.3	107.0	1	2.1	22.5	35
TMHA050H2-*	-S2A	CRN5-0500-PFV	208-230/1/60	30.8	142.0	1	2.1	40.6	70
	-T3A	CRN5-0500-TF5	208-230/3/60	19.2	130.0	1	2.1	26.1	45
TMHA006E6-*	-S1A	RS43C2E-CAA	115/1/60	9.1	51.0	1	1.1	12.5	20
	-S2A	RS43C2E-CAV	208-230/1/60	4.8	24.1	1	0.5	6.5	15
TMHA008E6-*	-S1A	RS55C2E-CAA	115/1/60	11.9	60.0	1	1.1	15.9	25
	-S2A	RS55C2E-CAV	208-230/1/60	5.4	40.0	1	0.5	7.3	15
TMHA009E6-*	-S1A	RS64C2E-CAA	115/1/60	10.9	59.0	1	1.1	14.7	25
	-S2A	RS64C2E-CAV	208-230/1/60	6.9	37.0	1	0.5	9.2	15
TMHA010E6-*	-S2A	RS70C1E-PFV	208-230/1/60	6.3	34.2	1	0.5	8.4	15
	-T3A	RS70C1E-TFC	208-230/3/60	4.2	31.0	1	0.5	5.8	15
TMHA016E6-*	-S2A	CS10K6E-PFV	208-230/1/60	9.8	56.0	1	0.5	12.8	20
	-T3A	CS10K6E-TF5	208-230/3/60	6.7	51.0	1	0.5	8.9	15
TMHA021E6-*	-S2A	CS12K6E-PFV	208-230/1/60	9.8	56.0	1	1.1	13.4	20
	-T3A	CS12K6E-TF5	208-230/3/60	6.7	51.0	1	1.1	9.5	15
TMHA025E6-*	-S2A	CS14K6E-PFV	208-230/1/60	11.2	61.0	1	1.1	15.1	25
	-T3A	CS14K6E-TF5	208-230/3/60	8.2	55.0	1	1.1	11.4	15
TMHA031E6-*	-S2A	CS18K6E-PFV	208-230/1/60	14.4	82.0	1	1.1	19.0	30
	-T3A	CS18K6E-TF5	208-230/3/60	7.9	65.5	1	1.1	11.0	15
TMHA035E6-*	-S2A	CS20K6E-PFV	208-230/1/60	16.7	96.0	1	1.1	21.9	35
	-T3A	CS20K6E-TF5	208-230/3/60	10.2	75.0	1	1.1	13.9	20
TMHA040E6-*	-S2A	CS27K6E-PFV	208-230/1/60	21.5	121	1	2.1	29.0	50
	-T3A	CS27K6E-TF5	208-230/3/60	12.1	105.0	1	2.1	17.2	25
TMHA050E6-*	-S2A	CS33K6E-PFV	208-230/1/60	27.6	125.0	1	2.1	36.6	60
	-T3A	CS33K6E-TF5	208-230/3/60	16.8	102.0	1	2.1	23.1	35
TMHA006L6-*	-S1A	AFT22C1E-IAA	115/1/60	8.3	55.0	1	1.1	11.4	15
	-S2A	AFT22C1E-CFV	208-230/1/60	3.3	32.5	1	0.5	4.7	15
TMHA008L6-*	-S1A	AFT26C1E-CFA	115/1/60	7.9	72.0	1	1.1	11.0	15
	-S2A	AFT26C1E-CFV	208-230/1/60	4.1	32.2	1	0.5	5.7	15
TMHA010L6-*	-S2A	CF04K6E-PFV	208-230/1/60	9.9	59.2	1	0.5	12.9	20
	-T3A	CF04K6E-TF5	208-230/3/60	6.1	52.0	1	0.5	8.1	15
TMHA020L6-*	-S2A	CF06K6E-PFV	208-230/1/60	10.3	59.2	1	0.5	13.3	20
	-T3A	CF06K6E-TF5	208-230/3/60	6.3	52.0	1	0.5	8.4	15
TMHA025L6-*	-S2A	CF09K6E-PFV	208-230/1/60	15.0	87.0	1	1.1	19.9	30
	-T3A	CF09K6E-TF5	208-230/3/60	9.2	72.2	1	1.1	12.6	20
TMHA031L6-*	-S2A	CF12K6E-PFV	208-230/1/60	18.4	105.0	1	1.1	24.1	40
	-T3A	CF12K6E-TF5	208-230/3/60	11.0	85.0	1	1.1	14.9	25

* I = Indoor, H = Outdoor. Above listed RLA value is based on UL rating method and may differ from published compressor RLA data.

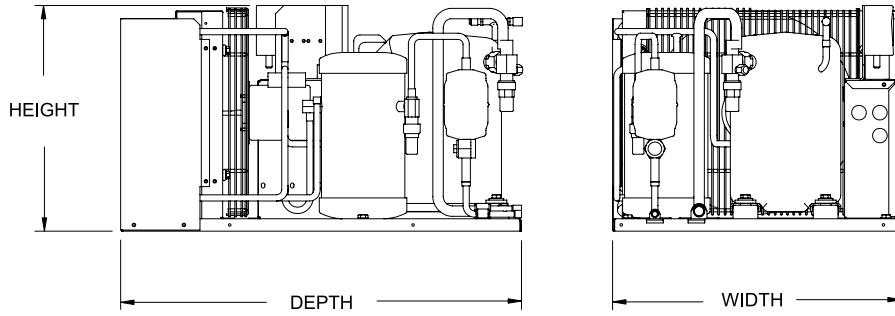
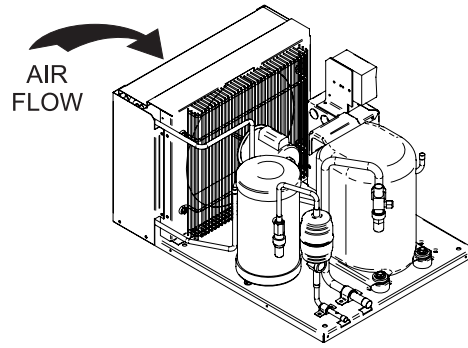
CONDENSING UNIT MODEL	COMPRESSOR MODEL NO.	POWER SUPPLY	COMPRESSOR		CONDENSER FAN MOTOR		UNIT		
			RLA	LRA	QTY	FLA	MCA	MOP	
TMHS011H2- * -S2A	H29B14UABC	208-230/1/60	7.7	48.0	1	0.5	10.1	15	
TMHS015H2- * -S2A	H29B18UABC	208-230/1/60	9.0	48.0	1	0.5	11.7	20	
TMHS020H2- *	-S2A	H29B24UABC	208-230/1/60	12.2	61.0	1	1.1	16.3	25
	-T3A	H29B24UDBL	208-230/3/60	8.3	58.0	1	1.1	11.5	20
TMHS031H2- *	-S2A	H29B35UABC	208-230/1/60	16.7	86.0	1	1.1	21.9	35
	-T3A	H29B35UDBL	208-230/3/60	10.3	78.0	1	1.1	13.9	20
TMHS035H2- *	-S2A	H23A423ABC	208-230/1/60	20.0	110.0	1	1.1	26.1	45
	-T3A	H23A423DBL	208-230/3/60	12.8	78.0	1	1.1	17.1	30
TMHS040H2- *	-S2A	H23A543ABC	208-230/1/60	28.8	138.0	1	2.1	38.2	60
	-T3A	H23A543DBL	208-230/3/60	17.3	106.0	1	2.1	23.7	40
TMHS050H2- *	-S2A	H23A623ABC	208-230/1/60	30.1	178.0	1	2.1	39.8	60
	-T3A	H23A623DBL	208-230/3/60	20.5	124.0	1	2.1	27.7	45

* I = Indoor, H = Outdoor. Above listed RLA value is based on UL rating method and may differ from published compressor RLA data.

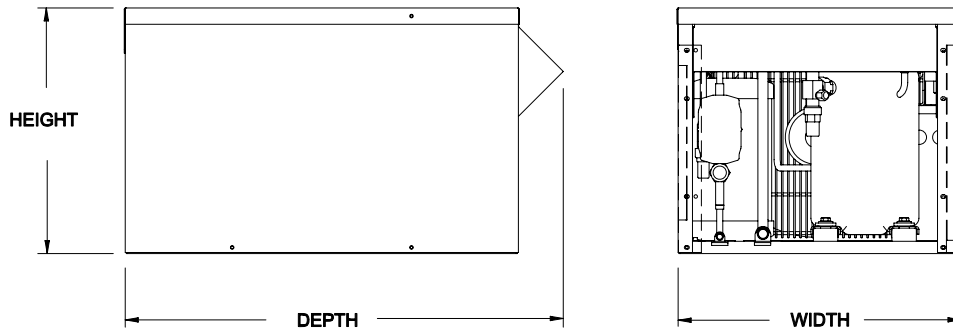
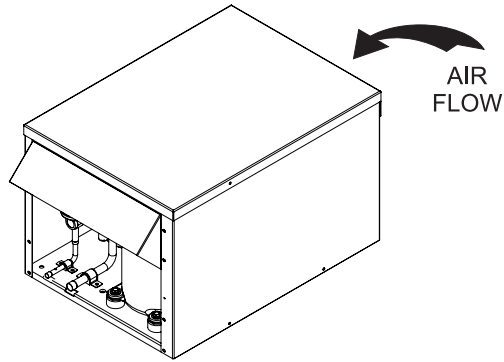
CONDENSING UNIT MODEL	COMPRESSOR MODEL NO.	POWER SUPPLY	COMPRESSOR		CONDENSER FAN MOTOR		UNIT		
			RLA	LRA	QTY	FLA	MCA	MOP	
TMHD016M6-*	-S2A	MTZ18-1VM	208-230/1/60	8.3	51.0	1	0.5	10.9	15
	-T3A	MTZ18-3VM	208-230/3/60	5.8	38.0	1	0.5	7.7	15
TMHD021M6-*	-S2A	MTZ22-1VM	208-230/1/60	10.9	49.3	1	1.1	14.7	25
	-T3A	MTZ22-3VM	208-230/3/60	7.1	38.0	1	1.1	9.9	15
TMHD025M6-*	-S2A	MTZ28-1VM	208-230/1/60	16.0	81.0	1	1.1	21.1	35
	-T3A	MTZ28-3VM	208-230/3/60	10.3	57.0	1	1.1	13.9	20
TMHD031M6-*	-S2A	MTZ36-1VM	208-230/1/60	19.2	84.0	1	1.1	25.1	40
	-T3A	MTZ36-3VM	208-230/3/60	10.9	74.0	1	1.1	14.7	25
TMHD036M6-*	-S2A	MTZ44-1VM	208-230/1/60	19.9	97.0	1	1.1	25.9	45
	-T3A	MTZ44-3VM	208-230/3/60	14.1	115.0	1	1.1	18.7	30
TMHD040M6-*	-S2A	MTZ50-1VM	208-230/1/60	23.1	114.0	1	2.1	30.9	50
	-T3A	MTZ50-3VM	208-230/3/60	16.0	115.0	1	2.1	22.1	35
TMHD050M6-*	-S2A	MTZ56-1VM	208-230/1/60	27.2	136.0	1	2.1	36.2	60
	-T3A	MTZ56-3VM	208-230/3/60	16.7	130.0	1	2.1	22.9	35
TMHD015L6-*	-S2A	L TZ22-1VM	208-230/1/60	10.9	49.3	1	0.5	14.1	25
	-T3A	L TZ22-3VM	208-230/3/60	7.1	38.0	1	0.5	9.3	15
TMHD025L6-*	-S2A	L TZ28-1VM	208-230/1/60	16.0	81.0	1	1.1	21.1	35
	-T3A	L TZ28-3VM	208-230/3/60	10.3	57.0	1	1.1	13.9	20
TMHD031L6-*	-S2A	L TZ40-1VM	208-230/1/60	19.9	97.0	1	1.1	26	45
	-T3A	L TZ40-3VM	208-230/3/60	14.1	115.0	1	1.1	18.7	30
TMHD040L6-*	-S2A	L TZ50-1VM	208-230/1/60	23.1	114.0	1	2.1	30.9	50
	-T3A	L TZ50-3VM	208-230/3/60	14.7	115.0	1	2.1	20.5	35

* I = Indoor, H = Outdoor. Above listed RLA value is based on UL rating method and may differ from published compressor RLA data.

DIMENSIONAL DATA



INDOOR DIMENSIONS



OUTDOOR DIMENSIONS

DIMENSIONAL DATA

CONDENSING UNIT MODEL	INDOOR MODELS								OUTDOOR MODELS					
	LENGTH		DEPTH		HEIGHT				LENGTH		DEPTH		HEIGHT	
					COPELAND/ MANEUROP		BRISTOL							
	Inches	mm	Inches	mm	Inches	mm	Inches	mm	Inches	mm	Inches	mm	Inches	mm
TMH * 005H2	17 5/8	448	24 1/4	614	13 3/8	338	N/A	N/A	18	452	27	686	16 1/8	408
TMH * 008H2	17 5/8	448	24 1/4	614	13 3/8	338	N/A	N/A	18	452	27	686	16 1/8	408
TMH * 011H2	17 5/8	448	24 1/4	614	13 3/8	338	14 1/4	362	18	452	27	686	16 1/8	408
TMH * 015H2	19 5/8	498	24 1/4	614	15 7/8	403	15 7/8	403	19 7/8	503	27	686	16 1/8	408
TMH * 020H2	32 7/8	835	24 1/4	614	19 3/8	492	19 3/8	492	33	838	29 1/4	743	19 5/8	498
TMH * 025H2	32 7/8	835	24 1/4	614	19 3/8	492	19 3/8	492	33	838	29 1/4	743	19 5/8	498
TMH * 031H2	32 7/8	835	24 1/4	614	19 3/8	492	19 3/8	492	33	838	29 1/4	743	19 5/8	498
TMH * 035H2	32 7/8	835	24 1/4	614	19 3/8	492	N/A	N/A	33	838	29 1/4	743	19 5/8	498
TMH * 040H2	43 1/8	1096	30	764	29	737	N/A	N/A	43 1/2	1105	38 5/8	981	29 1/2	749
TMH * 050H2	43 1/8	1096	30	764	29	737	29	737	43 1/2	1105	38 5/8	981	29 1/2	749
TMH A 006E6	17 5/8	448	24 1/4	614	13 3/8	338	N/A	N/A	17 7/8	452	27	686	16 1/8	408
TMH A 008E6	17 5/8	448	24 1/4	614	13 3/8	338	N/A	N/A	17 7/8	452	27	686	16 1/8	408
TMH A 009E6	17 5/8	448	24 1/4	614	13 3/8	338	N/A	N/A	17 7/8	452	27	686	16 1/8	408
TMH A 010E6	17 5/8	448	24 1/4	614	13 3/8	338	N/A	N/A	17 7/8	452	27	686	16 1/8	408
TMH * 016^6	19 5/8	498	24 1/4	614	15 7/8	403	N/A	N/A	19 7/8	503	27	686	16 1/8	408
TMH * 021^6	32 7/8	835	24 1/4	614	19 3/8	492	19 3/8	492	33	838	29 1/4	743	19 5/8	498
TMH * 025^6	32 7/8	835	24 1/4	614	19 3/8	492	19 3/8	492	33	838	29 1/4	743	19 5/8	498
TMH * 031^6	32 7/8	835	24 1/4	614	19 3/8	492	19 3/8	492	33	838	29 1/4	743	19 5/8	498
TMH A 035^6	32 7/8	835	24 1/4	614	19 3/8	492	19 3/8	492	33	838	29 1/4	743	19 5/8	498
TMH D 036^6	32 7/8	835	24 1/4	614	19 3/8	492	19 3/8	492	33	838	29 1/4	743	19 5/8	498
TMH * 040^6	43 1/8	1096	30	764	29	737	N/A	N/A	43 1/2	1105	38 5/8	981	29 1/2	749
TMH * 050^6	43 1/8	1096	30	764	29	737	N/A	N/A	43 1/2	1105	38 5/8	981	29 1/2	749
TMH A 006L6	17 5/8	448	24 1/4	614	13 3/8	338	N/A	N/A	17 7/8	452	27	686	16 1/8	408
TMH A 008L6	17 5/8	448	24 1/4	614	13 3/8	338	N/A	N/A	17 7/8	452	27	686	16 1/8	408
TMH A 010L6	17 5/8	448	24 1/4	614	14 1/2	368	N/A	N/A	17 7/8	452	27	686	16 1/8	408
TMH D 015L6	19 5/8	498	24 1/4	614	15 7/8	403	15 7/8	403	19 7/8	503	27	686	16 1/8	408
TMH A 020L6	19 5/8	498	24 1/4	614	15 7/8	403	15 7/8	403	19 7/8	503	27	686	16 1/8	408
TMH * 025L6	32 7/8	835	24 1/4	614	19 3/8	492	19 3/8	492	33	838	29 1/4	743	19 5/8	498
TMH * 031L6	32 7/8	835	24 1/4	614	19 3/8	492	19 3/8	492	33	838	29 1/4	743	19 5/8	498
TMH D 040L6	43 1/8	1096	30	764	29	737	N/A	N/A	43 1/2	1105	38 5/8	981	29 1/2	749

* May be A, D or S depending on compressor availability

^ May be E or M.

SPECIFICATIONS

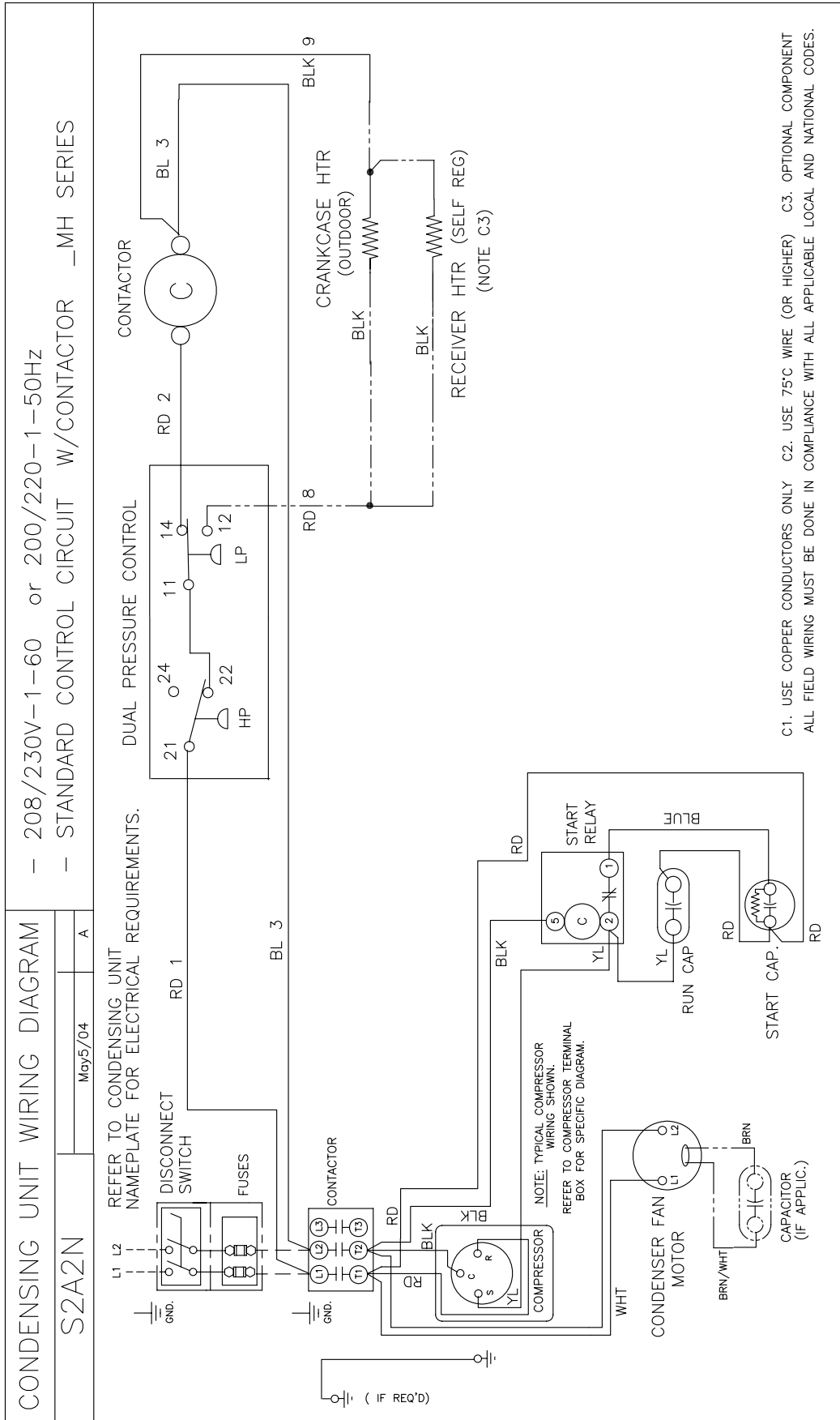
CONDENSING UNIT MODEL	COMPRESSOR BRAND/MODEL*			UNIT CONNECTIONS				RECEIVER CAPACITY 90% FULL		APPROX. SHIPPING WEIGHT			
				SUCTION (OD)		LIQUID (OD)				OUTDOOR		INDOOR	
	Copeland	Maneurop	Bristol	Inches	mm	Inches	mm	Lbs.	Kgs	Lbs.	Kgs	Lbs.	Kgs
TMH * 005H2	ARE59C3	N/A	N/A	1/2	13	3/8	10	3	1.36	75	34.0	63	28.6
TMH * 008H2	RS47C2	N/A	N/A	5/8	16	3/8	10	3	1.36	97	44.0	85	38.6
TMH * 011H2	RS70C1	N/A	H29B14U	5/8	16	3/8	10	6	2.72	120	54.4	108	49.0
TMH * 015H2	CR18KQ	N/A	H29B18U	5/8	16	3/8	10	6	2.72	137	62.1	122	55.3
TMH * 020H2	CR24KQ	N/A	H29B24U	5/8	16	3/8	10	12.5	5.67	199	90.3	179	81.2
TMH * 025H2	CR32KQ	N/A	N/A	7/8	22	3/8	10	16	7.26	210	95.3	190	86.2
TMH * 031H2	CR37KQ	N/A	H29B35U	7/8	22	1/2	13	16	7.26	210	95.3	190	86.2
TMH * 035H2	CR41KQ	N/A	H23A423	7/8	22	1/2	13	16	7.26	214	97.1	194	88.0
TMH * 040H2	CR53KQ	N/A	H23A543	1 1/8	29	1/2	13	24	10.89	285	129.3	260	117.9
TMH * 050H2	CRN5-0500	N/A	H23A623	1 1/8	29	1/2	13	24	10.89	319	144.7	294	133.4
TMH A 006E6	RS43C2E	N/A	N/A	5/8	16	3/8	10	2.7	1.22	95	43.1	83	37.6
TMH A 008E6	RS55C2E	N/A	N/A	5/8	16	3/8	10	2.7	1.22	95	43.1	83	37.6
TMH A 009E6	RS64C2E	N/A	N/A	5/8	16	3/8	10	5.4	2.45	95	43.1	83	37.6
TMH A 010E6	RS70C1E	N/A	N/A	5/8	16	3/8	10	5.4	2.45	95	43.1	83	37.6
TMH * 016^6	CS10K6E	MTZ18	N/A	5/8	16	3/8	10	5.4	2.45	146	66.2	131	59.4
TMH * 021^6	CS12K6E	MTZ22	N/A	7/8	22	3/8	10	11.3	5.13	208	94.3	188	85.3
TMH * 025^6	CS14K6E	MTZ28	N/A	7/8	22	1/2	13	14.4	6.53	212	96.2	192	87.1
TMH * 031^6	CS18K6E	MTZ36	N/A	7/8	22	1/2	13	14.4	6.53	215	97.5	195	88.5
TMH A 035^6	CS20K6E	N/A	N/A	7/8	22	1/2	13	14.4	6.53	216	98.0	196	88.9
TMH D 036^6	N/A	MTZ44	N/A	7/8	22	1/2	13	14.4	6.53	221	100.2	201	91.2
TMH * 040^6	CS27K6E	MTZ50	N/A	1 1/8	29	1/2	13	21.5	9.75	282	127.9	257	116.6
TMH * 050^6	CS33K6E	MTZ56	N/A	1 1/8	29	1/2	13	21.5	9.75	287	130.2	262	118.8
TMH A 006L6	AFT22C1E	N/A	N/A	1/2	13	3/8	10	2.7	1.22	86	39.0	74	33.6
TMH A 008L6	AFT26C1E	N/A	N/A	1/2	13	3/8	10	2.7	1.22	88	39.9	76	34.5
TMH A 010L6	CF04K6E	N/A	N/A	5/8	16	3/8	10	5.4	2.45	120	54.4	108	49.0
TMH D 015L6	N/A	LTZ22	N/A	7/8	22	3/8	10	5.4	2.45	119	54.0	104	47.2
TMH A 020L6	CF06K6E	N/A	N/A	7/8	22	3/8	10	5.4	2.45	123	55.8	108	49.0
TMH * 025L6	CF09K6E	LTZ28	N/A	7/8	22	3/8	10	11.3	5.13	224	101.6	204	92.5
TMH * 031L6	CF12K6E	LTZ40	N/A	7/8	22	1/2	13	14.4	6.53	224	101.6	204	92.5
TMH D 040L6	N/A	LTZ50	N/A	1 1/8	29	1/2	13	21.5	9.75	285	129.3	260	117.9

* May be A, D or S depending on compressor availability

^ May be E or M.

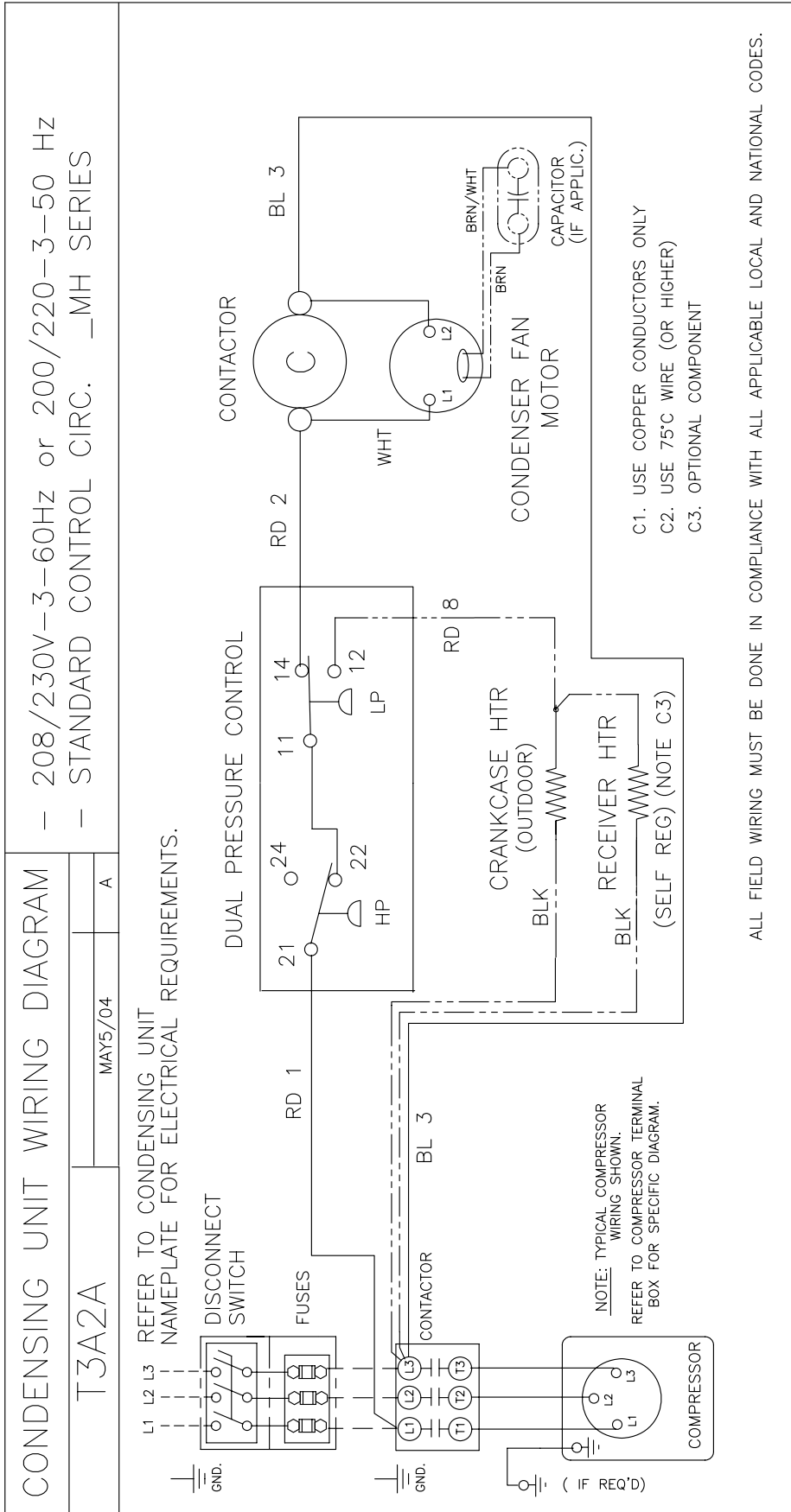
TYPICAL SYSTEM WIRING DIAGRAM

SINGLE PHASE WITH CONTACTOR (208-230/1/60)



TYPICAL SYSTEM WIRING DIAGRAM

THREE-PHASE WITH CONTACTOR (208-230/3/60)



System	
Model Number	Date of Start-Up
Serial Number	Service Contractor
Refrigerant	Phone
Electrical Supply	Fax



NATIONAL REFRIGERATION & AIR CONDITIONING CANADA CORP.

159 Roy Blvd. • Brantford • Ontario, Canada N3R 7K1

PHONE: (519) 751-0444 • 800-463-9517 • FAX (519) 753-1140

