

Air Defrost Unit Coolers

For reach-In and Undercounter Refrigerators



FEATURES

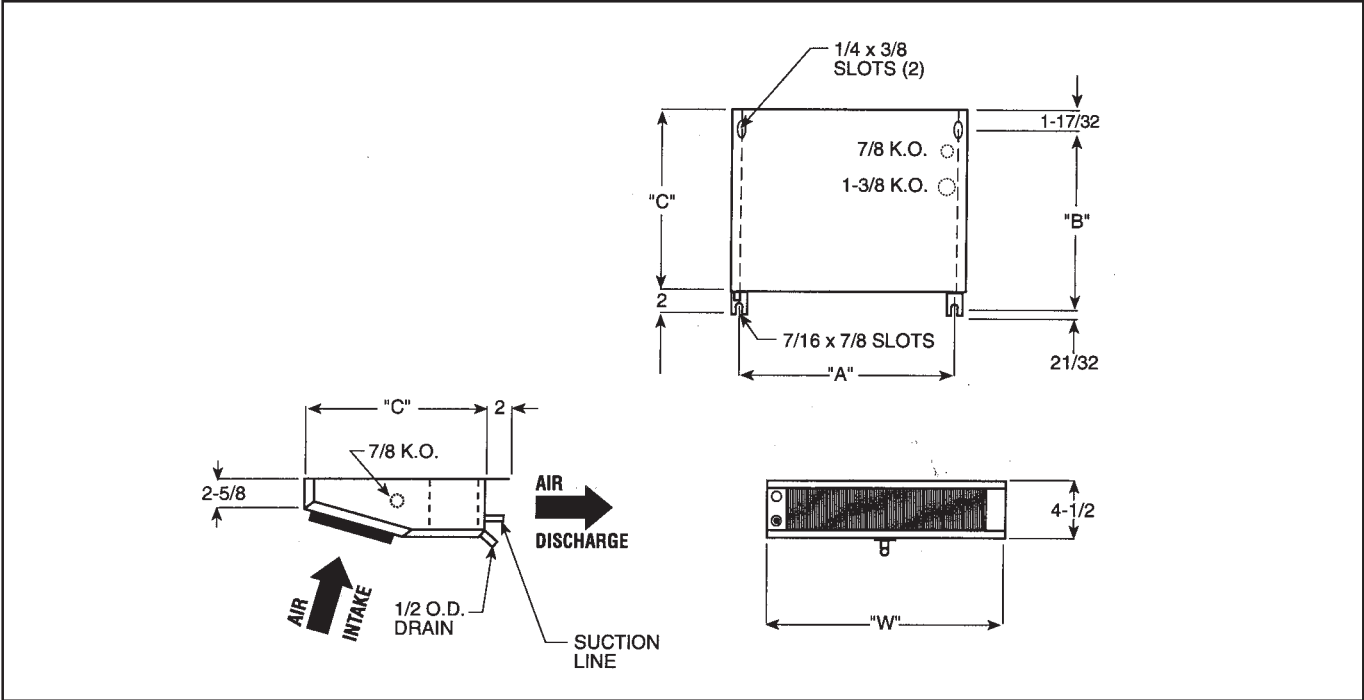
- Attractive low silhouette allows maximum usage of refrigerated space.
- Lightweight cabinet made of smooth aluminum and corrosion proof hardware.
- Protective coating on all models.
- Generously sized coils provide balance with available condensing units and compressors.
- Low velocity minimizes product dehydration and maintains product freshness.
- Rear air discharge reduces door sweating.
- R-134a, R-404A, R-507, R-12, R-22, R-502, R407A, R407B, R407C.
- Motors thermally protected and life lubricated.
- Quick-connect moisture-proof wiring harness.
- Light molded plastic fan blades ensure low noise level and optimum air circulation.
- Internally equalized expansion valve mounts inside of cabinet.
- Removable drain pan with self-retained fasteners.
- Knockouts for electrical connections conveniently located in cabinet,
- Opening at the back for refrigeration connections.



WE ARE ON THE INTERNET

www.trentonrefrigeration.com

DIMENSIONAL DATA FOR AIR DEFROST UNIT COOLERS



DIMENSIONAL DATA

Model No.	Dimensions, In.				Connections, In.		Approx. Ship. Wt., Lbs
	A	B	W	C	Inlet	Suction	
TMK-100	14 11/16	14	16 1/2	14 1/2	1/2 FN	3/8 ID	13
TMK-130	18 11/16	14	19 1/4	14 1/2	1/2 FN	3/8 ID	15
TMK-170	22 3/16	15	24	15 1/2	1/2 FN	1/2 ID	18
TMK-230	29 11/16	15	31 1/2	15 1/2	1/2 FN	1/2 ID	27
TMK-300	38 3/16	15	40	15 1/2	1/2 FN	1/2 ID	32

PERFORMANCE AND ELECTRICAL DATA

Model No.	BTU/Hr @ 10 °F TD	CFM	MOTORS		
			Quantity	Total Amps	
				115/1/60	208-230/1/60
TMK-100	1000	160	1	.69	.345
TMK-130	1300	190	2	1.38	.69
TMK-170	1700	230	2	1.38	.69
TMK-230	2300	340	3	2.07	1.04
TMK-300	3000	440	4	2.76	1.38

Amps for 208-230/1/60 models shown at 230V.



TRENTON REFRIGERATION PRODUCTS

539 Dunksferry Road, Bensalem, PA 19020-5908
PHONE: 215-244-1400

A Division of National Refrigeration and Air Conditioning Products, Inc.



Due to National Refrigeration's policy of continuous product improvement, we reserve the right to make changes without notice.