



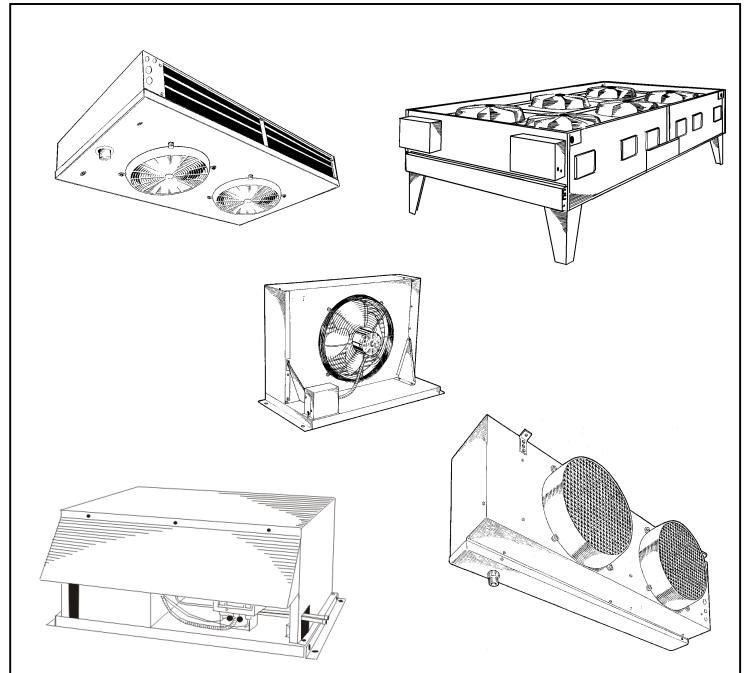
Product Service Parts List

EVAPORATORS, CONDENSING UNITS & AIR COOLED CONDENSERS

Bulletin T00-PROD-SPL

1075576

WE ARE ON THE INTERNET
www.trentonrefrigeration.com



CONTENTS

	PAGE No.
EVAPORATORS	2 - 18
T - Line, Half Round Unit Coolers.....	2
TTW - Line, Two-Way Unit Coolers.....	3 - 4
TLV - Line, Low Velocity Unit Coolers.....	5 - 6
TLP - Line, Low Profile Unit Coolers.....	7 - 9
JUCT - Line, Medium Profile Unit Coolers.....	10 - 12
JBCT - Line, Blast Unit Coolers.....	13 - 15
JBFT - Line, Blast Freezer Unit Coolers.....	16 - 18
CONDENSING UNITS	19 - 22
EH - Line, Hermetic and ES - Line, Semi-Hermetic Condensing Units (Small Chassis).....	19
TZ - Line, Scroll Condensing Units.....	20
T - Line, Semi-Hermetic Condensing Units (Large Chassis).....	21 - 22
AIR COOLED CONDENSERS	23 -24
TCH - Line, Air Cooled Condensers - Horizontal Air.....	23
TVC - Line, Air Cooled Condensers - Vertical Air.....	24



SERVICE PARTS LIST

T-LINE, HALF ROUND UNIT COOLERS

MODEL NUMBER	DESCRIPTION	PART NUMBER		
		<i>115/1/60 SP MOTOR</i>	<i>115/1/60 PSC MOTOR</i>	<i>208-230/1/60 PSC MOTOR</i>
T375	FAN MOTORS	170621	1062533	1062534
T485		170621	1062533	1062534
T595		170621	1062533	1062534
T775		170620	1062541	1062531
T905		170620	1062541	1062531
T1025		170620	1062541	1062531
T1305		170620	1062541	1062531
T2050		170620	1062541	1062531
T375	FAN BLADE	28271		
T485		28271		
T595		28270		
T775		28272		
T905		28269		
T1025		28269		
T1305		28269		
T2050		28269		
T375	FAN GUARD	1043043		
T485		1043043		
T595		170512-003		
T775		170512-003		
T905		170512-003		
T1025		170512-003		
T1305		170512-003		
T2050		170512-003		
T375	COIL ASSEMBLY.	28228		
T485		28227		
T595		28230		
T775		28229		
T905		28206		
T1025		28234		
T1305		28233		
T2050		28235		
T375	DRAIN PAN ASSEMBLY	28283		
T485		28283		
T595		28284		
T775		28284		
T905		28285		
T1025		28085		
T1305		28285		
T2050		28139		



SERVICE PARTS LIST

TTW-LINE, TWO WAY UNIT COOLERS

MODEL NUMBER		DESCRIPTION	PART NUMBER		
<i>AIR DEFROST</i>	<i>ELEC.DEFROST</i>		<i>115/1/60</i>	<i>208-230/1/60</i>	
TTW009AD	TTW008ED	FAN MOTOR	1069592	1069593	
TTW013AD	TTW011ED		1069592	1069593	
TTW017AD	TTW015ED		1069592	1069593	
TTW020AD	TTW018ED		1069592	1069593	
TTW025AD	TTW022ED		1069592	1069593	
TTW030AD	TTW026ED		1069592	1069593	
TTW045AD	TTW039ED		1069592	1069593	
TTW060AD	TTW051ED		1069592	1069593	
TTW090AD	TTW077ED		1069592	1069593	
TTW115AD	TTW098ED		1069592	1069593	
TTW009AD	TTW008ED		FAN BLADE	1043870-001	
TTW013AD	TTW011ED	1043870-002			
TTW017AD	TTW015ED	1043870-003			
TTW020AD	TTW018ED	1043870-004			
TTW025AD	TTW022ED	1043870-005			
TTW030AD	TTW026ED	1043870-005			
TTW045AD	TTW039ED	1043870-005			
TTW060AD	TTW051ED	1043870-005			
TTW090AD	TTW077ED	1043870-006			
TTW115AD	TTW098ED	1043870-006			
TTW009AD	TTW008ED	FAN GUARD		1043293	
TTW013AD	TTW011ED		1043293		
TTW017AD	TTW015ED		1043293		
TTW020AD	TTW018ED		1043293		
TTW025AD	TTW022ED		1043294		
TTW030AD	TTW026ED		1043294		
TTW045AD	TTW039ED		1043294		
TTW060AD	TTW051ED		1043294		
TTW090AD	TTW077ED		1043294		
TTW115AD	TTW098ED		1043294		
TTW009AD	TTW008ED		DRAIN PAN	1043868-001	
TTW013AD	TTW011ED	1043868-001			
TTW017AD	TTW015ED	1043868-001			
TTW020AD	TTW018ED	1043868-001			
TTW025AD	TTW022ED	1043869-001			
TTW030AD	TTW026ED	1043869-001			
TTW045AD	TTW039ED	1070010-001			
TTW060AD	TTW051ED	1070010-001			
TTW090AD	TTW077ED	1070011-001			
TTW115AD	TTW098ED	1070012-001			



SERVICE PARTS LIST

TTW-LINE, TWO WAY UNIT COOLERS

MODEL NUMBER		DESCRIPTION	PART NUMBER	
	TTW008ED	DEFROST HEATERS *	1070468-001	
	TTW011ED		1069861-001	
	TTW015ED		1069861-001	
	TTW018ED		1069861-001	
	TTW022ED		1069861-002	
	TTW026ED		1069861-002	
	TTW039ED		1070468-002	
	TTW051ED		1069861-003	
	TTW077ED		1069861-004	
	TTW098ED		1069861-005	
*HEATERS ARE RATED AT 115V. HEATERS TO BE WIRED IN SERIES FOR 230V OR IN PARALLEL FOR 115V				
TTW009AD	TTW008ED	COIL ASSEMBLY LH/RH	1043876-001	1043876-002
TTW013AD	TTW011ED		1043875-001	1043875-002
TTW017AD	TTW015ED		1043874-001	1043874-002
TTW020AD	TTW018ED		1043879-001	1043879-002
TTW025AD	TTW022ED		1043873-001	1043873-002
TTW030AD			1043872-001	1043872-002
TTW045AD			1070113-001	1070113-002
TTW060AD			1070114-001	1070114-002
TTW090AD			1070115-001	1070115-002
TTW115AD			1070116-001	1070116-002
	TTW026ED	COIL ASSEMBLY LH/RH	1070035-001	1070035-002
	TTW039ED		1070036-001	1070036-002
	TTW051ED		1070037-001	1070037-002
	TTW077ED		1070038-001	1070038-002
	TTW098ED		1070039-001	1070039-002
TTW045AD		TERMINAL BOARD	1048825	
TTW060AD			1048825	
TTW090AD			1048825	
TTW115AD			1048825	
	TTW039ED	TERMINAL BOARD	1070060	
	TTW051ED		1070060	
	TTW077ED		1070060	
	TTW098ED		1070060	
	ALL ELECTRIC DEFROST MODELS	FAN DELAY/DEFROST TERMINATION CONTROL	1072338	



SERVICE PARTS LIST

TLV-LINE, LOW VELOCITY UNIT COOLERS

MODEL NUMBER	DESCRIPTION	PART NUMBER
ALL MODELS	FAN MOTORS:100V-115/1/60 SP, 1/15HP	1073402
	FAN MOTORS:100V-115/1/60 PSC, 1/15HP	1073403
	FAN MOTORS:200-230/1/60 SP, 1/15HP	1073404
	FAN MOTORS:200-230/1/60 PSC, 1/15HP	1073405
TLVB 60, 90, 120, 150	HEATER:COIL FACE, 115V, 650W	1070854-003
TLVB 180, 220,270,300	HEATER:COIL FACE, 115V, 930W	1070854-002
TLVB 340,370	HEATER:COIL FACE, 115V, 1140W	1070854-001
TLVB 60, 90, 120,150	HEATER:DRAIN PAN, 115V, 290W	1070854-006
TLVB 180,220,270,300	HEATER:DRAIN PAN, 115V, 410W	1070854-005
TLVB 340, 370	HEATER:DRAIN PAN, 115V, 510W	1070854-004
TLVB 90,270, 340	FAN BLADES:14" 35 ⁰ 5 BLADES	1073414
TLVB 150, 220,300,370	FAN BLADES:14" 32 ⁰ 5 BLADES	1073415
TLVB 60,120,180	FAN BLADES:14" 22 ⁰ 5 BLADES	1073416
HG DEF.MODELS (RE & HE)	THERMOSTAT:FAN/HEATER CONTROL	1073640
ALL MODELS	THERMOSTAT:DEFROST TERMINATION	1040239
ALL MODELS	FAN GUARD	1073350
TLVB 60,90,120,150	INNER DRAIN PAN	1073825-001
TLVB 220,270,300		1073825-002
TLVB 340,370		1073825-003
TLVB 60,90	OUTER DRAIN PAN	1073760-002
TLVB 120,150		1073761-002
TLVB 180,220,270		1073762-002
TLVB 300		1073763-002
TLVB 340		1073764-002
TLVB 370		1073765-002



SERVICE PARTS LIST

TLV-LINE, LOW VELOCITY UNIT COOLERS

MODEL NUMBER	DESCRIPTION	PART NUMBER	
TLVB 60	COIL ASSEMBLY LH/RH AIR DEFROST AND REVERSE CYCLE HG MODELS ONLY	1073527-003	1073528-003
TLVB 90		1073529-003	1073530-003
TLVB 120		1073531-003	1073532-003
TLVB 150		1073533-003	1073534-003
TLVB 180		1073535-003	1073536-003
TLVB 220		1073537-003	1073538-003
TLVB 270		1073539-003	1073540-003
TLVB 300		1073541-003	1073542-003
TLVB 340		1073543-003	1073544-003
TLVB 370		1073545-003	1073546-003
TLVB 60	COIL ASSEMBLY LH/RH ELECTRIC DEFROST MODELS ONLY	1073527-001	1073528-001
TLVB 90		1073529-001	1075330-001
TLVB 120		1073531-001	1073532-001
TLVB 150		1073533-001	1073534-001
TLVB 180		1073535-001	1073536-001
TLVB 220		1073537-001	1073538-001
TLVB 270		1073537-001	1073538-001
TLVB 300		1073539-001	1073540-001
TLVB 340		1073543-001	1073544-001
TLVB 370		1073543-001	1073544-001



SERVICE PARTS LIST

TLP-LINE, LOW PROFILE UNIT COOLERS

MODEL NUMBER	DESCRIPTION	PART NUMBER
ALL MODELS	FAN MOTOR 115V	1043336
	FAN MOTOR 208/230V	1043766
	MOTOR MOUNT	1043304
	FAN BLADE	1043667
	MOLDED FAN GUARD/WIRE FAN GUARD	1043305/1046145
	*FAN DELAY/DEFROST TERM. CONTROL	1072338
	DRAIN FITTING KIT	1043544-001
*Not used on High Temp (Air Defrost) Models		
TLP 35/43 DED	HEATER: COIL FACE,(3 REQUIRED) 270W	501321-001
TLP 53/70/87 DED	HEATER: COIL FACE,(3 REQUIRED) 500W	501321-002
TLP 105/130 DED	HEATER: COIL FACE,(3 REQUIRED) 750W	501321-003
TLP 173 DED	HEATER: COIL FACE,(3 REQUIRED) 960W	501321-004
TLP 217 DED	HEATER: COIL FACE,(3 REQUIRED) 1190W	501321-005
TLP 260 DED	HEATER: COIL FACE,(3 REQUIRED) 1420W	501321-006
TLP 35/43 DED	HEATER: COIL BOTTOM (1 REQUIRED) 500W	1043603-001
TLP 53/70/87 DED	HEATER: COIL BOTTOM (1 REQUIRED) 900W	1043603-002
TLP 105/130 DED	HEATER: COIL BOTTOM (1 REQUIRED) 1300W	1043603-003
TLP 173 DED	HEATER: COIL BOTTOM (1 REQUIRED) 1700W	1043603-004
TLP 217 DED	HEATER: COIL BOTTOM (1 REQUIRED) 2100W	1043603-005
TLP 260 DED	HEATER: COIL BOTTOM (1 REQUIRED) 2500W	1043603-006
ALL MODELS	HEATER RETAINER (WIRE CLIP)	505377
AIR DEFROST MODELS	TERMINAL BOARDS	1043529
ELEC DEF MODELS		1043538
HOT GAS DEF MODELS		1043543



SERVICE PARTS LIST

TLP-LINE, LOW PROFILE UNIT COOLERS

MODEL NUMBER	DESCRIPTION	PART NUMBER
TLP41A	COIL ASSEMBLY	1043729
TLP51A		1043730
TLP62A		1043731
TLP82A		1043732
TLP102C		1043733
TLP123A		1043734
TLP153A		1043735
TLP204A		1043736
TLP255A		1043737
TLP306A		1043738
TLP35DED		1043448
TLP43DED		1043449
TLP53DED		1043450
TLP70DED		1043451
TLP87DED		1043452
TLP105DED		1043453
TLP130DED		1043454
TLP173DED		1043455
TLP217DED		1043456
TLP260DED		1043457
TLP53AHG		1043684
TLP70AHG		1043685
TLP87AHG		1043686
TLP105AHG		1043687
TLP130AHG		1043688
TLP173AHG		1043689
TLP217AHG		1043690
TLP260AHG		1043691



SERVICE PARTS LIST

TLP-LINE, LOW PROFILE UNIT COOLERS

MODEL NUMBER	DESCRIPTION	PART NUMBER
TLP41A		1043331-001
TLP51A		1043331-001
TLP62A		1043331-002
TLP82A		1043331-002
TLP102C		1043331-002
TLP123A		1043331-003
TLP153A		1043331-003
TLP204A		1043331-004
TLP255A		1043331-005
TLP306A		1043331-006
TLP35DED		1045670-001
TLP43DED		1045670-001
TLP53DED		1045670-002
TLP70DED		1045670-002
TLP87DED		1045670-002
TLP105DED		1045670-003
TLP130DED		1045670-003
TLP173DED		1045670-004
TLP217DED		1045670-005
TLP260DED		1045670-006
TLP53AHG		1045670-001
TLP70AHG		1045670-002
TLP87AHG		1045670-002
TLP105AHG		1045670-003
TLP130AHG		1045670-003
TLP173AHG		1045670-004
TLP217AHG		1045670-005
TLP260AHG		1045670-006

DRAIN PAN ASSY.



SERVICE PARTS LIST

JUXT-LINE, MEDIUM PROFILE UNIT COOLERS

MODEL NUMBER	DESCRIPTION	PART NUMBER
ALL MODELS	FAN MOTORS:208-230/1/60 3.3 A 3/4HP	1045032
	FAN MOTORS:208-230/3/60 2 A 3/4HP	1045033
	FAN MOTORS:460/3/60 1 A 3/4HP	1045034
	FAN MOTORS:575/3/60 .8 A 3/4HP	1045035
ALL MODELS (EXCEPT EL.DEF MODELS)	FAN MOTORS:200-220/1/50 3.1 A 3/4HP	1045032
	FAN MOTORS:200-220/3/50 1.7 A 3/4HP	1045033
	FAN MOTORS:380-400/3/50 .8 A 3/4HP	1045034
120A,116E,116H	FAN BLADES: 20" 18 ⁰ PITCH 4 BLADES	1048568
ALL OTHER MODELS	FAN BLADES: 20" 23 ⁰ PITCH 4 BLADES	1045115
EXCEPT 120A,116E,116H		
ALL MODELS	FAN GUARD:MOULDED THROW BOOSTER (STD)	1045089
	FAN GUARD:METAL WIRE (OPTIONAL)	1045091
	ACORN NUT	1045138
ALL MODELS	MOTOR MOUNT	1045031
AIR DEF. MODELS	TERMINAL BLOCK	1045017
ELEC. AND HG DEF. MODELS	TERMINAL BLOCK - FAN MOTOR	1045017
	TERMINAL BLOCK - DRAIN PAN HTR (IF APPLICABLE)	1045017
	TERMINAL BLOCK - CONTROL	1045017
	THERMOSTAT:DEFROST CONTROL	1048610
ELEC. DEF. MODELS	FACE HEATER CLIP	1048609
ALL MODELS	COIL ASSEMBLY	
120A,116ED,116H		1065020
123A,119ED,119H		1065021
129A,124ED,124H		1065022
236A,232ED,230H		1065023
246A,238ED,238H		1065024
253A,245ED,245H		1065025
260A,251ED,251H		1065026
370A,360ED,360H		1065027
376A,368ED,364H		1065028
388A,375ED,375H		1065029



SERVICE PARTS LIST

JUCT-LINE, MEDIUM PROFILE UNIT COOLERS

MODEL NUMBER	DESCRIPTION	PART NUMBER
AIR DEF MODELS		
120	DRAIN PAN ASSEMBLY- AIR DEF MODELS	1073871-001
125		1073872-001
131		1073872-001
239		1073873-001
247		1073873-001
254		1073873-001
263		1073873-001
374		1073874-001
383		1073874-001
393		1073874-001
ELEC. DEF MODELS		
116	DRAIN PAN ASSEMBLY- ELEC. DEF MODELS	1068780-005
119		1068780-006
124		1068780-006
232		1068780-007
238		1068780-007
245		1068780-007
251		1068780-007
360		1068780-008
368		1068780-008
375		1068780-008
HG DEF MODELS		
116	DRAIN PAN ASSEMBLY-HG. DEF MODELS	1069679-001
119		1069679-002
124		1069679-002
230		1069679-003
238		1069679-003
245		1069679-003
251		1069679-003
360		1069679-004
364		1069679-004
375		1069679-004



SERVICE PARTS LIST

JUXT-LINE, MEDIUM PROFILE UNIT COOLERS

MODEL NUMBER	DESCRIPTION	PART NUMBER	
ELEC. DEF MODELS		230V	460V
116	HEATER: COIL FACE (6 REQUIRED) 677W	1045039-001	1045039-003
119, 124	HEATER: COIL FACE (6 REQUIRED) 950W	1045039-005	1045039-007
232, 238, 245, 251	HEATER: COIL FACE (6 REQUIRED) 1824W	1045039-009	1045039-011
360, 368, 375	HEATER: COIL FACE (6 REQUIRED) 2697W	1045039-013	1045039-015
ELEC. DEF MODELS		575V	
116	HEATER: COIL FACE (6 REQUIRED) 677W	1045039-004	
119, 124	HEATER: COIL FACE (6 REQUIRED) 950W	1045039-008	
232, 238, 245, 251	HEATER: COIL FACE (6 REQUIRED) 1824W	1045039-012	
360, 368, 375	HEATER: COIL FACE (6 REQUIRED) 2697W	1045039-016	
ELEC. DEF MODELS		230V	460V
116	HEATER: DRAIN PAN (1 REQUIRED) 260W	1045039-017	1045039-019
119, 124	HEATER: DRAIN PAN (1 REQUIRED) 400W	1045039-021	1045039-023
232, 238, 245, 251	HEATER: DRAIN PAN (1 REQUIRED) 736W	1045039-025	1045039-027
360, 368, 375	HEATER: DRAIN PAN (1 REQUIRED) 1071W	1045039-029	1045039-031
ELEC. DEF MODELS		575V	
116	HEATER: DRAIN PAN (1 REQUIRED) 260W	1045039-020	
119, 124	HEATER: DRAIN PAN (1 REQUIRED) 400W	1045039-024	
232, 238, 245, 251	HEATER: DRAIN PAN (1 REQUIRED) 736W	1045039-028	
360, 368, 375	HEATER: DRAIN PAN (1 REQUIRED) 1071W	1045039-032	
HG DEF MODELS		230V	380V
116	HEATER:DRAIN PAN (1 REQUIRED) 512W	1067848-001	1067848-002
119, 124	HEATER:DRAIN PAN (1 REQUIRED) 750W	1067848-005	1067848-006
2320 238, 245, 251	HEATER:DRAIN PAN (1 REQUIRED) 1320W	1067848-009	1067848-010
360, 364, 375	HEATER:DRAIN PAN (1 REQUIRED) 1890W	1067848-013	1067848-014
HG DEF MODELS		460V	575V
116	HEATER:DRAIN PAN (1 REQUIRED) 512W	1067848-003	1067848-004
119, 124	HEATER:DRAIN PAN (1 REQUIRED) 750W	1067848-007	1067848-008
2320 238, 245, 251	HEATER:DRAIN PAN (1 REQUIRED) 1320W	1067848-011	1067848-012
360, 364, 375	HEATER:DRAIN PAN (1 REQUIRED) 1890W	1067848-015	1067848-016



SERVICE PARTS LIST

JBCT-LINE, BLAST UNIT COOLERS

MODEL NUMBER	DESCRIPTION	PART NUMBER
ALL MODELS	FAN MOTORS - 60HZ 1HP ODP 208-230/3/60	1040154
	FAN MOTORS - 60HZ 1HP OPD 460/3/60	1040155
	FAN MOTORS - 60HZ 1HP ODP 575/3/60	1040156
	MOTOR MOUNT	1040158
	FAN BLADE 30"	1040158
	TERMINAL BLOCK TB1:FAN MOTOR	1040160
	TERMINAL BLOCK TB2:DEFROST CONTROL	1040161
	TERMINAL BLOCK TB3:DEFROST HEATER	1040162
	THERMOSTAT:FAN DELAY	1040240
	THERMOSTAT:DEFROST TERMINATION	1040239
	HEATERS:COIL DEFROST 208-230/3/60	1040167
	HEATERS:COIL DEFROST 460/3/60	1040166
	HEATERS:COIL DEFROST 575/3/60	1040165
	HEATERS:DRAIN PAN DEFROST 208-230/3/60	1040167
	HEATERS:DRAIN PAN DEFROST 460/3/60	1040166
HEATERS:DRAIN PAN DEFROST 575/3/60	1040165	
THROW BOOSTER	1040695	
ALL MODELS	DRAIN PAN ASSEMBLY: AIR DEF. UNITS	1040312
ALL MODELS	DRAIN PAN ASSEMBLY: ELEC.DEF. UNITS	1040210
053 TO 077,091,097,101	DRAIN PAN ASSEMBLY: REV. CYL HG DEF. UNITS-- INNER PAN	1040515
078 TO 072,089		1040530
094,097,110,129,138,143		1040516
112,120,126		1040531
REVCYL HG MODELS	DRAIN PAN ASSEMBLY: REV. CYL HG DEF. UNITS-- OUTER PAN	1041476
053 TO 077,089,091,094,097,101	DRAIN PAN ASSEMBLY: 3 PIPE HG DEF. UNITS-- INNER PAN	1040666
078, 085		1040668
103,110,129,138,143		1040667
112,120,126		1040669
3 PIPE HG MODELS	DRAIN PAN ASSEMBLY: 3PIPE HG DEF. UNITS- - OUTER PAN	1041477



SERVICE PARTS LIST

JBCT-LINE, BLAST UNIT COOLERS

MODEL	DESCRIPTION	PART NUMBER			
		<i>EL. DEF</i>	<i>AIR DEF</i>	<i>REV. CYL HG DEF</i>	<i>3PIPE HG DEF</i>
053	COIL ASSEMBLY: R22	1040991	NA	1041149	1041214
059		1040992	NA	1041150	1041215
064		1040993	1041052	1041151	1041216
066		1040997	NA	1041155	1041220
072		1040998	NA	1041156	1041221
085		NA	1041053	NA	NA
077		1040999	1041056	1041157	1041222
078		1041003	NA	1041161	1041226
085		1041004	NA	1041162	1041227
100		NA	1041057	NA	NA
089		1041005	1041060	1041163	1041228
091		1041009	NA	1041167	1041232
094		1041015	NA	1041173	1041238
097		1041010	NA	1041168	1041233
115		NA	1041061	NA	NA
101		1041011	1041064	1041169	1041234
103		1041016	NA	1041174	1041239
125		NA	1041065	NA	NA
110		1041017	1041068	1041175	1041240
112		1041021	NA	1041179	1041244
140		NA	1041069	NA	NA
120		1041022	NA	1041180	1041245
126		1041023	1041072	1041181	1041246
129		1041027	NA	1041185	1041250
160		NA	1041073	NA	NA
138		1041028	NA	1041186	1041251
143		1041029	1041076	1041187	1041252
180		NA	1041077	NA	NA



SERVICE PARTS LIST

JBCT-LINE, BLAST UNIT COOLERS

MODEL	DESCRIPTION	PART NUMBER			
		<i>EL. DEF</i>	<i>AIR DEF</i>	<i>REV. CYL HG DEF</i>	<i>3PIPE HG DEF</i>
053	COIL ASSEMBLY: R404A	1040994	NA	1041152	1041217
059		1040995	NA	1041153	1041218
064		1040996	1041054	1041154	1041219
066		1041000	NA	1041158	1041223
072		1041001	NA	1041159	1041224
085		NA	1041055	NA	NA
077		1041002	1041058	1041160	1041225
078		1041006	NA	1041164	1041229
085		1041007	NA	1041165	1041230
100		NA	1041059	NA	NA
089		1041008	1041062	1041166	1041231
091		1041012	NA	1041170	1041235
094		141018	NA	1041176	1041241
097		1041013	NA	1041171	1041236
115		NA	1041063	NA	NA
101		1041014	1041066	1041172	1041237
103		1041019	NA	1041177	1041242
125		NA	1041067	NA	NA
110		1041020	1041070	1041178	1041243
112		1041024	NA	1041182	1041247
140		NA	1041071	NA	NA
120		1041025	NA	1041183	1041248
126		1041026	1041074	1041184	1041249
129		1041030	NA	1041188	1041253
160		NA	1041075	NA	NA
138		1041031	NA	1041189	1041254
143		1041032	1041078	1041190	1041261
180		NA	1041079	NA	NA

NA=NOT AVAILABLE



SERVICE PARTS LIST

JBFT-LINE, BLAST UNIT COOLERS

MODEL NUMBER	DESCRIPTION	PART NUMBER
ALL MODELS	FAN MOTORS: 3HP TEFC 208-230/3/60	1040346
	FAN MOTORS: 3HP TEFC 460/3/60	1040347
	FAN MOTORS: 3HP TEFC 575/3/60	1040348
	FAN BLADE 30"	1040321
	TERMINAL BLOCK TB1:FAN MOTOR	1040160
	TERMINAL BLOCK TB2:DEFROST CONTROL	JBF
	TERMINAL BLOCK TB3:DEFROST HEATER	1040162
	THERMOSTAT:FAN DELAY	1040240
	THERMOSTAT:DEFROST TERMINATION	1040239
	HEATERS:COIL DEFROST 208-230/3/60	1040167
	HEATERS:COIL DEFROST 460/3/60	1040166
	HEATERS:COIL DEFROST 575/3/60	1040165
	HEATERS:DRAIN PAN DEFROST 208-230/3/60	1040167
	HEATERS:DRAIN PAN DEFROST 460/3/60	1040166
	HEATERS:DRAIN PAN DEFROST 575/3/60	1040165
THROW BOOSTER	1040695	
ALL MODELS	DRAIN PAN ASSEMBLY: AIR DEF. UNITS	1040312
ALL MODELS	DRAIN PAN ASSEMBLY: ELEC.DEF. UNITS	1040210
053 TO 077,085,095,120	DRAIN PAN ASSEMBLY: REV. CYL HG DEF. UNITS-- INNER PAN	1040515
076 TO 083,088		1040530
092,101,108,119,128,134		1040516
107,116,123		1040531
REVCYL HG MODELS	DRAIN PAN ASSEMBLY: REV. CYL HG DEF. UNITS-- OUTER PAN	1041476
053 TO 077,088,085,092,095,096	DRAIN PAN ASSEMBLY: 3 PIPE HG DEF. UNITS-- INNER PAN	1040666
076, 083,		1040668
101,108,119,128,134		1040667
107,116,123		1040669
3 PIPE HG MODELS	DRAIN PAN ASSEMBLY: 3PIPE HG DEF. UNITS-- OUTER PAN	1041477



SERVICE PARTS LIST

JBFT-LINE, BLAST UNIT COOLERS

MODEL	DESCRIPTION	PART NUMBER			
		<i>EL.DEF</i>	<i>AIR DEF</i>	<i>REV. CYL HG DEF</i>	<i>3PIPE HG DEF</i>
053	COIL ASSEMBLY: R22	1040991	NA	1041149	1041214
059		1040992	NA	1041150	1041215
063		1040993	1041052	1041151	1041216
065		1040997	NA	1041155	1041220
072		1040998	NA	1041156	1041221
077		1040999	1041056	1041157	1041222
076		1041003	NA	1041161	1041226
083		1041004	NA	1041162	1041227
088		1041005	1041060	1041163	1041228
085		1041009	NA	1041167	1041232
092		1041015	NA	1041173	1041238
095		1041010	NA	1041168	1041233
096		1041011	1041064	1041169	1041234
101		1041016	NA	1041174	1041239
108		1041017	1041068	1041175	1041240
107		1041021	NA	1041179	1041244
116		1041022	NA	1041180	1041245
123		1041023	1041072	1041181	1041246
119		1041027	NA	1041185	1041250
128		1041028	NA	1041186	1041251
134	1041029	1041076	1041187	1041252	



SERVICE PARTS LIST

JBFT-LINE, BLAST UNIT COOLERS

MODEL	DESCRIPTION	PART NUMBER			
		<i>EL. DEF</i>	<i>AIR DEF</i>	<i>REV. CYL HG DEF</i>	<i>3PIPE HG DEF</i>
053	COIL ASSEMBLY: R404A	1040994	NA	1041152	1041217
059		1040995	NA	1041153	1041218
063		1040996	1041054	1041154	1041219
065		1041000	NA	1041158	1041223
072		1041001	NA	1041159	1041224
077		1041002	1041058	1041160	1041225
076		1041006	NA	1041164	1041229
083		1041007	NA	1041165	1041230
088		1041008	1041062	1041166	1041231
085		1041012	NA	1041170	1041235
092		141018	NA	1041176	1041241
095		1041013	NA	1041171	1041236
096		1041014	1041066	1041172	1041237
101		1041019	NA	1041177	1041242
108		1041020	1041070	1041178	1041243
107		1041024	NA	1041182	1041247
116		1041025	NA	1041183	1041248
123		1041026	1041074	1041184	1041249
119		1041030	NA	1041188	1041253
128		1041031	NA	1041189	1041254
134	1041032	1041078	1041190	1041261	

NA=NOT AVAILABLE



SERVICE PARTS LIST

EH-LINE, HERMETIC and ES-LINE, SEMI-HERMETIC CONDENSING UNITS (SMALL CHASSIS)

HP&APPLICATION.	PART NUMBER					
	CONDENSER	FAN BLADE	FAN MOTOR			
			208-230V*	460V**	200-220V*	380-400V**
0.5 H2	1063919	1049950	1049946	N/A	1065395	N/A
0.5 L2	1063919	1049950	1049946	N/A	1065395	N/A
0.5 L6	1063919	1049950	1049946	N/A	1065395	N/A
0.5 M8	1063919	1049950	1049946	N/A	1065395	N/A
0.75 H2	1063922	1049950	1049946	N/A	1065395	N/A
0.75 L2	1063919	1049950	1049946	N/A	1065395	N/A
0.75 L6	1063919	1049950	1049946	N/A	1065395	N/A
0.75 M8	1063922	1049950	1049946	N/A	1065395	N/A
0.76 L6	1063922	1049950	1049946	N/A	1065395	N/A
0.99 L6	1063923	1049951	1049946	1049949	1065395	1049949
1.0 H2	1063923	1049951	1049946	1049949	1065395	1049949
1.0 L2	1063923	1049951	1049946	1049949	1065395	1049949
1.0 L6	1063923	1049951	1049946	1049949	1065395	1049949
1.0 M8	1063923	1049951	1049946	1049949	1065395	1049949
1.5 H2	1063918	1049522	1049520	1049947	1049520	1049947
1.5 L5	1063918	1049522	1049520	1049947	1049520	1049947
1.5 L6	1063918	1049522	1049520	1049947	1049520	1049947
1.5 M8	1063918	1049522	1049520	1049947	1049520	1049947
1.51 L6	1063918	1049522	1049520	1049947	1049520	1049947
1.75 L6	1063918	1049522	1049520	1049947	1049520	1049947
2.0 H2	1063917	1049522	1049520	1049947	1049520	1049947
2.0 L2	1063917	1049522	1049520	1049947	1049520	1049947
2.0 L5	1063917	1049522	1049520	1049947	1049520	1049947
2.0 L6	1063917	1049522	1049520	1049947	1049520	1049947
2.0 M8	1063917	1049522	1049520	1049947	1049520	1049947
2.01 L6	1063917	1049522	1049520	1049947	1049520	1049947
2.10 L2	1063917	1049522	1049520	1049947	1049520	1049947
2.10 L6	1063917	1049522	1049520	1049947	1049520	1049947
2.10 M8	1063917	1049522	1049520	1049947	1049520	1049947
2.5 M8	1063917	1049522	1049520	1049947	1049520	1049947
2.9 L6	1046046	1049505	1049502	1049502	1049502	1049502
3.0 H2	1046046	1049505	1049502	1049502	1049502	1049502
3.0 L6	1046046	1049505	1049502	1049502	1049502	1049502
3.0 M8	1046046	1049505	1049502	1049502	1049502	1049502
3.5 M8	1046046	1049505	1049502	1049502	1049502	1049502
4.0 H2	1047727	1049505	1049502	1049502	1049502	1049502
4.0 M8	1047727	1049505	1049502	1049502	1049502	1049502
5.0 H2	1047727	1049505	1049502	1049502	1049502	1049502
5.0 M8	1047727	1049505	1049502	1049502	1049502	1049502

* SINGLE AND THREE PHASE(208-230V 60HZ AND 200-220V 50HZ)

** THREE PHASE(460V 60HZ AND 380-400V 50HZ)

575/3/60 FAN MOTORS NOT AVAILABLE ON ALL MODELS EXCEPT5 HP H2 AND M6(PART NO: 1049598)



SERVICE PARTS LIST

TZ-LINE, SCROLL CONDENSING UNITS

HP&APPLICATION.	PART NUMBER					
	CONDENSER	FAN BLADES		FAN MOTORS		
		575/3/60	ALL OTHER VOLTAGES	575/3/60	208-230/1/60, 200-220/1/50, 208-230/3/60, 200-230/3/50	460/3/60, 380-400/3/50
2 E6	1063917	TBA	1049522	TBA	1049520	1049947
2 H2	1063917	TBA	1049522	TBA	1049520	1049947
2 L6	1063917	TBA	1049522	TBA	1049520	1049947
2.5 E6	1046132	TBA	1049505	TBA	1049502	1049502
2.5 H2	1046046	TBA	1049505	TBA	1049502	1049502
2.5 L6	1046132	TBA	1049505	TBA	1049502	1049502
3 E6	1046132	1049505	1049505	1049598	1049502	1049502
3 H2	1046046	1049505	1049505	1049598	1049502	1049502
3 L6	1046132	1049505	1049505	1049598	1049502	1049502
3.5 E6	1046046	1049505	1049505	1049598	1049502	1049502
3.5 H2	1047727	1049505	1049505	1049598	1049502	1049502
3.5 L6	1046046	1049505	1049505	1049598	1049502	1049502
4 E6	1047727	1049505	1049505	1049598	1049502	1049502
4 H2	1047042	1049506	1049506	1049600	1049502	1049502
4 L6	1047727	1049505	1049505	1049598	1049502	1049502
5 E6	1046136	TBA	1049509	TBA	1049554	1049554
5 H2	1047321	1049508	1049508	1049600	1049502	1049502
5 L6	1046136	TBA	1049509	TBA	1049554	1049554
6 E6	1047042	1049506	1049506	1049600	1049502	1049502
6 H2	1047321	1049508	1049508	1049600	1049502	1049502
6 L6	1047042	1049506	1049506	1049600	1049502	1049502
7.5 E6	1047321	TBA	1049508	1049600	1049502	1049502
7.5 H2	1047134	1049512	1049513	1049601	1049805	1049805
7.5 L6	1047321	TBA	1049508	1049600	1049502	1049502
9 H2	1047121	1049512	1049513	1049601	1049805	1049805
10 E6	1047134	TBA	1049513	1049601	1049805	1049805
10 H2	1047139	1049512	1049513	1049601	1049805	1049805
10 L6	1047134	TBA	1049511	1049601	1049805	1049805
13 E6	1047121	TBA	1049513	1049601	1049805	1049805
13 H2	1047143	1049512	1049513	1049601	1049805	1049805
13 L6	1047121	TBA	1049513	1049601	1049805	1049805
15 E6	1047139	1049512	1049513	1049601	1049805	1049805
15 H2	1047143	1049512	1049513	1049601	1049805	1049805
15 L6	1047139	1049512	1049513	1049601	1049805	1049805

TBA=TO BE ADVISED-CONSULT FACTORY



SERVICE PARTS LIST

T-LINE, SEMI-HERMETIC CONDENSING UNITS (LARGE CHASSIS)

APPLN	PART NUMBER					
	HIGH/MEDIUM	LOW	MEDIUM TEMP.		LOW TEMP.	
	CONDENSER		FAN BLADES			
HP			575V	ALL OTHER VOLTAGES	575V	ALL OTHER VOLTAGES
2	1046132	1046132	TBA	1049507	1049504	1049504
3	1046046	1046046	1049505	1049505	1049505	1049505
3.1	1046136	TBA	TBA	1049509	TBA	TBA
3.5	TBA	1046136	TBA	TBA	1049506	1049506
4	TBA	1046136	TBA	TBA	1049509	1049509
5	1047321	TBA	1049506	1049508	TBA	TBA
5.1	1047321	TBA	1049506	1049508	TBA	TBA
5.2	TBA	TBA	TBA	TBA	TBA	TBA
6	TBA	1047042	TBA	TBA	1049506	1049506
6.1	TBA	1047042	TBA	TBA	1049506	1049506
6.2	TBA	TBA	TBA	TBA	TBA	TBA
6.3	TBA	TBA	TBA	TBA	TBA	TBA
7.5	1047134	1047321	1049512	1049513	1049508	1049508
7.6	1047121	TBA	1049512	1049513	TBA	TBA
9.0	TBA	1047134	TBA	TBA	1049512	1049511
10	1047139	1047139	1049512	1049513	1049512	1049511
10.1	TBA	TBA	TBA	TBA	TBA	TBA
15	1047143	1047143	1049512	1049513	1049512	1049513
20	1047325	1047143	1049512	1049513	1049512	1049513
25	1047325	1047325	1049512	1049513	1049512	1049513
30	1047325	1047325	1049512	1049513	1049512	1049513

TBA=TO BE ADVISED-CONSULT FACTORY



SERVICE PARTS LIST

T-LINE, SEMI-HERMETIC CONDENSING UNITS (LARGE CHASSIS)

APPLN	PART NUMBER			
	LOW TEMP		MED TEMP	
	FANMOTOR			
HP	575V	ALL OTHER VOLTAGES	575V	ALL OTHER VOLTAGES
2	TBA	1049899	1049598	1049502
3	1049598	1049502	1049598	1049502
3.1	TBA	1049554	TBA	1049554
3.5	1049600	1049554	TBA	TBA
4	1049600	1049554	TBA	TBA
5	TBA	TBA	1049600	1049502
5.1	TBA	TBA	1049600	1049502
5.2	TBA	TBA	TBA	TBA
6	1049600	1049502	TBA	TBA
6.1	1049600	1049502	TBA	TBA
6.2	1049600	1049554	TBA	TBA
6.3	1049600	1049554	TBA	TBA
7.5	1049600	1049502	1049601	1049805
7.6	TBA	TBA	1049601	1049805
9.0	1049601	1049805	1049601	1049805
10	1049601	1049805	1049601	1049805
10.1	1049601	1049805	1049601	1049805
15	1049601	1049805	1049601	1049805
20	1049601	1049805	1049601	1049805
25	1049601	1049805	1049601	1049805
30	1049601	1049805	1049601	1049805

TBA=TO BE ADVISED-CONSULT FACTORY



SERVICE PARTS LIST

TCH-LINE, AIR COOLED CONDENSER

MODEL	DESCRIPTION	PART NUMBER
ALL MODELS	FAN MOTOR: 208-230/1/60	1041300
	FAN MOTOR: 460/1/60	1042141
	FAN MOTOR: 575/1/60	1042140
	CAPACITOR, 5MFD,370V	171521-056
	FAN BLADE	1042139
	MOTOR MOUNT	1041313
	TERMINAL BLOCK	1041289
	CONDENSER COIL, (02)	1042441
	CONDENSER COIL, (03)	1042219
	CONDENSER COIL, (05)	1042148
	CONDENSER COIL, (08)	1042220
	CONDENSER COIL, (10)	1042221



SERVICE PARTS LIST

TVC-LINE, DIRECT DRIVE AIR COOLED CONDENSER

MODELS	DESCRIPTION	PART NUMBER
60HZ, 850RPM MODELS	FAN MOTORS - 60HZ, 850RPM, 0.75 HP, 208-230/1/60	1048725-001
	FAN MOTORS - 60HZ, 850RPM, 1 HP, 460/3/60	1048727-001
	FAN MOTORS - 60HZ, 850RPM, 1 HP, 575/3/60	1062968-001
	FAN MOTORS - 60HZ, 850RPM, 1 HP, 208-230/460/3/60	1062967-001
60HZ, 550 RPM MODELS	FAN MOTORS - 60HZ, 550RPM, 0.5HP, 208-230/460/3/60	1068176-001
	FAN MOTORS - 60HZ, 550RPM, 0.5HP, 575/3/60	1068177-001
60HZ, 1140 RPM MODELS	FAN MOTORS - 60HZ, 1140RPM, 2 HP, 208-230/460/3/60	1067454-001
	FAN MOTORS - 60HZ, 1140RPM, 2 HP, 575/3/60	1068175-001
50HZ, 700 RPM MODELS	FAN MOTORS - 50HZ, 700RPM, 0.75 HP, 200-220/1/50	1048725-001
	FAN MOTORS - 50HZ, 700RPM, 1 HP, 200-220/3/50	1048726-001
	FAN MOTORS - 50HZ, 700RPM, 1 HP, 380/3/50	1048727-001
	FAN MOTORS - 50HZ, 700RPM, 1 HP, 200-220/380/3/50	1062967-001
50HZ, 450 RPM MODEL	FAN MOTORS - 50HZ, 450RPM, 0.5 HP, 200-220/380/3/50	1068176-001
50HZ, 950 RPM MODEL	FAN MOTORS - 50HZ, 950RPM, 2 HP, 200-220/380/3/50	1067454-001
MODELS WITH 35" WIDE FAN SECTION	MOTOR MOUNT RAIL (2 REQUIRED)	1046500
MODELS WITH 45" WIDE FAN SECTION	MOTOR MOUNT RAIL (2 REQUIRED)	1046502
ALL MODELS	MOTOR RAIN SHIELD*	1043295
	MOTOR RAIN SLINGER*	106098
MODELS UP TO 144" LONG	FAN BLADES: 30" 22° PITCH 4 BLADE	1048739
MODELS 183" LONG AND OVER	FAN BLADES: 30" 28° PITCH 4 BLADE	1048738
ALL MODELS	FAN GUARD - 35" DIA.	1048603
ALL MODELS	MOUNTING LEGS 20" CORNER LEG	106025
MODELS 144" LONG AND OVER	MOUNTING LEGS 20" LEFT HAND CENTRE LEG	107024-001
MODELS 144" LONG AND OVER	MOUNTING LEGS 20" RIGHT HAND CENTRE LEG	107024-002
MODELS 144" LONG AND OVER	SUPPORT RAIL 90" - DOUBLE ROW	107025
MODELS 144" LONG AND OVER	SUPPORT RAIL 45" - SINGLE ROW	1065906

* FAN MOTOR PART NUMBER WITH "-001" SUFFIX INCLUDES RAIN SHIELD AND SLINGER.

NOTE: THE FOLLOWING IS THE COMBINATION OF FAN MOTOR, FAN BLADE TO BE USED WITH

P66 FAN SPEED CONTROL

FAN MOTOR: 1048725-001

FAN BLADE: 1048739

P66AAB-28C : 1042262



SERVICE PARTS LIST

NOTES



SERVICE PARTS LIST

NOTES



SERVICE PARTS LIST

NOTES



NATIONAL REFRIGERATION & AIR CONDITIONING CANADA CORP.

159 ROY BLVD., BRANTFORD, ONTARIO, CANADA N3T 5Y6

PHONE: 1-800-463-9517 (519) 751-0444 FAX (800) 753-1140 www.trentonrefrigeration.com

Due to National Refrigeration's policy of continuous product improvement, we reserve the right to make changes without notice.